

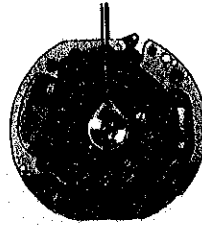
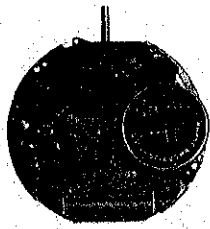
**SEIKO**

**QUARTZ**

**Cal. 9721A**

**PARTS LIST**

# Cal. 9721A



131 087



231 029



☆241 058



261 006



☆270 029



☆271 050



282 019



354 055



383 047



384 018



389 010



☆397 026



436 003



491 180



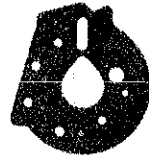
493 220



495 003



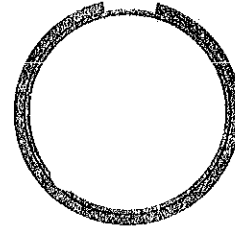
560 004



604 011



701 007



☆884 113



4001 123



4002 010



4146 007



4219 012



4219 013



4239 018



4242 075



4270 024



4453 004



011 542



☆Maxell SR1130SW

012 154	012 160	012 450	012 713	013 975	017 135	017 136	017 137	017 138
017 139	017 154	017 155	017 156					2/1

☆⇒Please see remarks on the next reverse page.

# Cal. 9721A

## Characteristics

Casing diameter :  $\phi$  26.0 mm  
 Maximum height : 2.9 mm without battery  
 Jewels : 2 j  
 Frequency of quartz crystal oscillator : 32,768 Hz (Hz=Hertz . . . . Cycles per second)  
 Driving system : Step motor system (2 poles)  
 Regulation system : Trimmer condenser  
 Second setting device  
 Battery life indicator : Second hand moves in two-second interval.

PART NO.	PART NAME	PART NO.	PART NAME
<b>131 087</b>	Third wheel bridge	<b>012 713</b>	Setting wheel plate complete screw
<b>231 029</b>	Third wheel & pinion	<b>013 975</b>	Eccentric dial pin
☆241 057	Fourth wheel & pinion (4.14 mm)	<b>017 135</b>	Tube for coil block A
☆ <b>241 058</b>	Fourth wheel & pinion (4.49 mm)	<b>017 136</b>	Tube for coil block B
<b>261 006</b>	Minute wheel	<b>017 137</b>	Tube for circuit block
☆ <b>270 029</b>	Center minute wheel with cannon pinion (2.29 mm)	<b>017 138</b>	Tube for yoke (Tube for clutch lever)
☆270 032	Center minute wheel with cannon pinion (1.94 mm)	<b>017 139</b>	Tube for setting lever axle spring screw
☆ <b>271 050</b>	Hour wheel (1.26 mm silver)	<b>017 154</b>	Tube for setting wheel plate complete screw
☆271 053	Hour wheel (0.96 mm gold)	<b>017 155</b>	Tube for third wheel bridge screw A
<b>282 019</b>	Clutch wheel	<b>017 156</b>	Tube for third wheel bridge screw B
<b>354 055</b>	Winding stem	☆Maxell SR1130SW	Silver oxide battery
<b>383 047</b>	Setting lever	☆SEIKO SR1130SW	
<b>384 018</b>	Yoke (Clutch lever)	☆SEIKO SB-AU	
<b>389 010</b>	Setting lever axle spring		
☆ <b>397 026</b>	Lever for unlocking stem		
<b>436 003</b>	Lower end-piece for third wheel		
<b>491 180</b>	Dial washer		
<b>493 220</b>	Hour wheel ring		
	(Thickness 0.03mm, gold)		
493 221	Hour wheel ring		
	(Thickness 0.05mm, silver)		
493 222	Hour wheel ring		
	(Thickness 0.10mm, gold)		
<b>495 003</b>	Spacer for third wheel bridge		
<b>560 004</b>	Friction spring for fourth wheel & pinion		
<b>604 011</b>	Setting wheel plate complete		
<b>701 007</b>	Fifth wheel & pinion		
☆ <b>884 113</b>	Holding ring for dial		
<b>4001 123</b>	Circuit block		
<b>4002 010</b>	Coil block		
<b>4146 007</b>	Step rotor		
<b>4219 012</b>	Insulator for battery connection		
<b>4219 013</b>	Insulator for battery		
<b>4239 018</b>	Rotor stator		
<b>4242 075</b>	Plus terminal of battery connection		
<b>4270 024</b>	Battery connection		
<b>4453 004</b>	Spacer for connector		
<b>011 542</b>	Upper hole jewel for step rotor		
<b>011 542</b>	Lower hole jewel for step rotor		
<b>012 154</b>	Lower end-piece screw for third wheel		
<b>012 160</b>	Third wheel bridge screw		
<b>012 160</b>	Coil block screw		
<b>012 160</b>	Setting lever axle spring screw		
<b>012 450</b>	Circuit block screw		

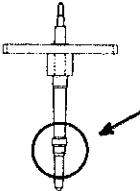


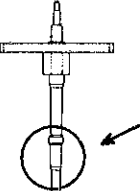


☆☐ Please see remarks on the reverse page.  
 Part numbers in light letters are not shown in photos.

# Cal. 9721A

## Remarks :

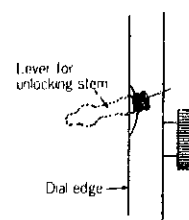
Fourth wheel & pinion, Center minute wheel with cannon pinion, Hour wheel.  
There are two different types as specified below.

## Combination :

Type	Fourth wheel & pinion	Center minute wheel with cannon pinion	Hour wheel
a			Gold 
	☆241 057	☆270 032	☆271 053
b			Silver 
	☆241 058	☆270 029	☆271 050

## Lever for unlocking stem

☆397 026.....The size of a lever for unlocking stem is determined based on the design of cases. When adjusting the length of the lever for unlocking stem by cutting its tail, be sure that the tail partly comes out of the brim of the dial as shown in the illustration. If the tail is hidden from view by the dial, it will be difficult to disassemble the winding stem.



## Holding ring for dial

☆884 113.....The type of holding ring for dial is determined based on the design of cases and dials. If the shape of holding ring for dial is different from the photograph, check the case number and refer to "SEIKO Quartz Casing Parts List" to choose a corresponding holding ring for dial.

## Battery

☆Maxell SR1130SW }  
 ☆SEIKO SR1130SW } .....The applied battery for this calibre might be added the substitutive in the future.  
 ☆SEIKO SB-AU } .....In that case, please refer to separate "BATTERIES FOR SEIKO QUARTZ WATCHES".