

**SEIKO**

**QUARTZ**

**Cal. 8229A**

**PARTS LIST**

# Cal. 8229A



122 820



131 822



221 820



231 820



241 820



261 820



271 820



281 820



282 821



383 821



384 820



388 822



☆470 503



701 820



737 820



☆801 506



808 820



810 820



867 820



962 820



963 820



989 820



4001 821



4002 820



4146 820



4239 820



4242 821



4259 828



4270 820



4408 820



☆Maxell SR936SW



022 256



022 744

3/1

☆⇨ Please see remarks on the next reverse page.

# Cal. 8229A

## Characteristics

Casing diameter :  $\phi$  24.0 mm  
 Maximum height : 3.8 mm without battery  
 Jewels : 4j  
 Frequency of quartz crystal oscillator : 32,768 Hz (Hz=Hertz . . . . Cycles per second)  
 Driving system : Step motor system (2 poles)  
 Regulation system : Trimmer condenser  
 Calendar (Day & Date)  
 Second setting device  
 Instant setting device for day & date calendar  
 Bilingual change-over system for day of the week  
 Battery life indicator : Second hand moves in two-second interval.

PART NO.	PART NAME	PART NO.	PART NAME
122 820	Center wheel bridge	☆027 036	Tube for third wheel bridge B
131 822	Third wheel bridge	☆027 037	Tube for third wheel bridge C
221 820	Center wheel & pinion	☆027 038	Tube for circuit block screw A
231 820	Third wheel & pinion	☆027 039	Tube for circuit block screw B
241 820	Fourth wheel & pinion	027 040	Anti-magnetic shield plate screw pin
261 820	Minute wheel	027 853	Minute wheel pin
271 820	Hour wheel	027 855	Pin for intermediate wheel for day correction
281 820	Setting wheel	027 946	Eccentric dial pin
282 821	Clutch wheel	☆Maxell SR936SW	Silver oxide battery
383 821	Setting lever	☆U.C.C.394	
384 820	Yoke (Clutch lever)		
388 822	Setting lever spring		
☆470 503	Day star with dial disk		
701 820	Fifth wheel & pinion		
737 820	Date corrector setting wheel		
☆801 506	Date dial		
808 820	Date dial guard		
810 820	Date jumper		
867 820	Date driving wheel		
962 820	Intermediate wheel for calendar correction		
963 820	Snap for day star with dial disk		
989 820	Intermediate wheel for day correction		
4001 821	Circuit block		
4002 820	Coil block		
4146 820	Step rotor		
4239 820	Rotor stator		
4242 821	Battery connection (+)		
4259 828	Anti-magnetic shield plate		
4270 820	Battery connection (-)		
4408 820	Circuit block spacer		
022 256	Center wheel bridge screw		
022 256	Third wheel bridge screw		
022 256	Circuit block screw		
022 256	Anti-magnetic shield plate screw		
022 256	Setting lever spring screw		
022 744	Date dial guard screw		
011 537	Upper hole jewel for third wheel		
011 537	Upper hole jewel for fifth wheel		
011 537	Upper hole jewel for step rotor		
011 537	Lower hole jewel for step rotor		
023 340	Yoke banking pin		
023 369	Yoke pin (Tube for yoke)		
023 785	Lower bush for third wheel		
023 785	Lower bush for fifth wheel		
027 034	Tube for center wheel bridge		
☆027 035	Tube for third wheel bridge A		

☆⇨ Please see remarks on the reverse page.  
 Part numbers in light letters are not shown in photos.

# Cal. 8229A

## Remarks :

The stem with crown of the Cal. 8229A is so designed that the winding stem cannot be replaced alone but the stem with crown with new one.

When it is required to be replaced, check the case number and refer to the "**SEIKO Quartz Casing Parts List**" to choose a corresponding stem with crown.

### Day star with dial disk

☆470 503 (English ↔ Spanish, black figures on white background).....If any other type of day star with dial disk is required, specify the number printed on the disk.

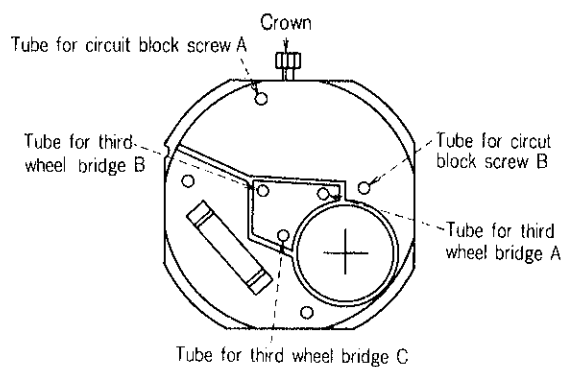
### Date dial

☆801 506.....Used when both the crown and the calendar frame are located at 3 o'clock position.

If any other type of date dial is required, specify ① Cal. No. ② The crown position ③ The calendar frame position and ④ Dial No.

### Tube for third wheel bridge (A,B,C), tube for circuit block screw (A,B)

☆027 035 }  
☆027 036 } Refer to the illustration below for the position of tube  
☆027 037 } ..... for third wheel bridge (A,B,C), and tube for circuit block  
☆027 038 } screw (A,B).  
☆027 039 }



### Battery

☆U.C.C. 394 } ..... The applied battery for this calibre might be added the substitutive in the future.  
☆Maxell SR936SW } In that case, please refer to separate "**BATTERIES FOR SEIKO QUARTZ WATCHES**".