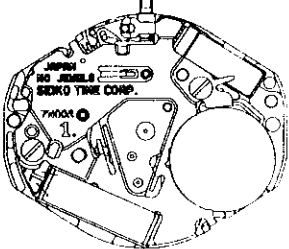
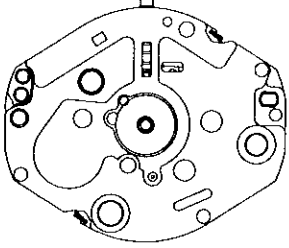
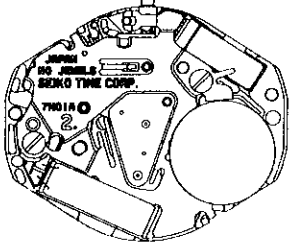
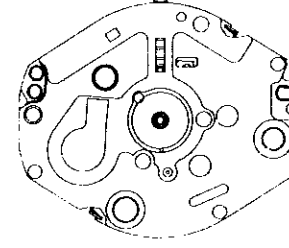


PARTS CATALOGUE/TECHNICAL GUIDE

Cal. 7N00A Cal. 7N01A

[SPECIFICATIONS]

Cal. No.		Cal. 7N00A	Cal. 7N01A
Item			
Movement		  (x 2.0)	  (x 2.0)
Movement size	Outside diameter	18.2 mm between 6 o'clock and 12 o'clock sides 15.3 mm between 3 o'clock and 9 o'clock sides	
	Casing diameter	17.8 mm between 6 o'clock and 12 o'clock sides 15.3 mm between 3 o'clock and 9 o'clock sides	
	Height	2.1 mm	
Time indication		2 hands (Hand motion: 20-second step)	3 hands
Driving system		Step motor (Fixed-width pulse system)	Step motor (Load compensated driving pulse type)
Additional mechanism		Electronic circuit reset switch	
		Train wheel setting device	
		-	Battery life indicator
Loss/gain		Monthly rate at normal temperature range: less than 15 seconds	
Regulation system		Nil	
Measuring gate by quartz tester		Use 10-second gate.	
Battery		SEIKO SR616SW, Maxell SR616SW, SONY SR616SW, Matsushita SR616SW Battery life is approximately 3 years. Voltage: 1.55V	SEIKO SR621SW, Maxell SR621SW, SONY SR621SW, Matsushita SR621SW, EVEREADY 364 Battery life is approximately 2 years. Voltage: 1.55V
Jewels		0 jewel	

HATTORI SEIKO CO., LTD.

PARTS CATALOGUE

Cal. 7N00A

Disassembling procedures Figs.: ① → ②④

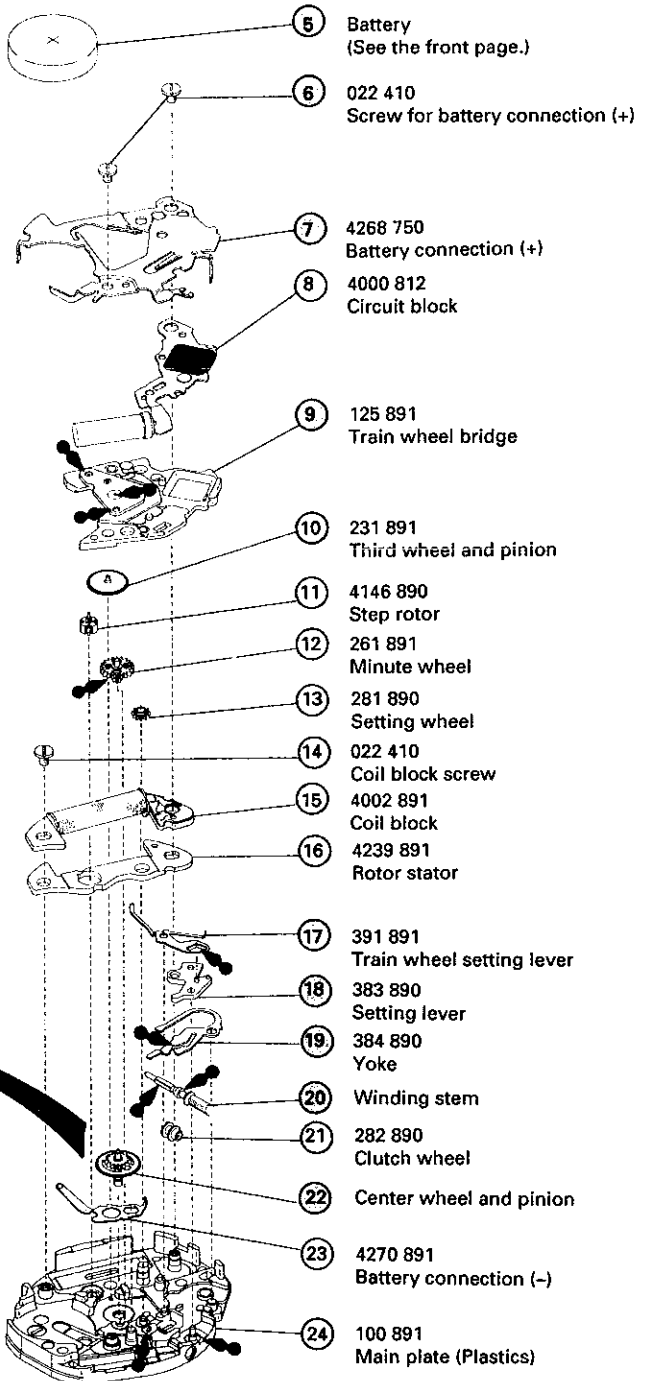
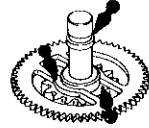
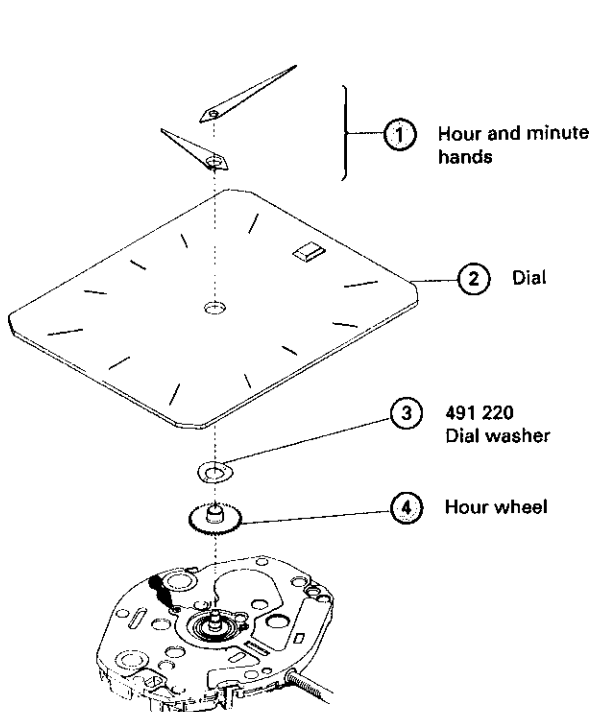
Reassembling procedures Figs.: ②④ → ①

Lubricating: Types of oil

● Moebius A

Oil quantity

∞ Normal quantity



	<p>022 410</p> <ul style="list-style-type: none"> • Screw for battery connection (+) • Coil block screw
--	---

➡ Please see the remarks on the following pages.

PARTS CATALOGUE

Cal. 7N01A

Disassembling procedures Figs. : 1 → 28

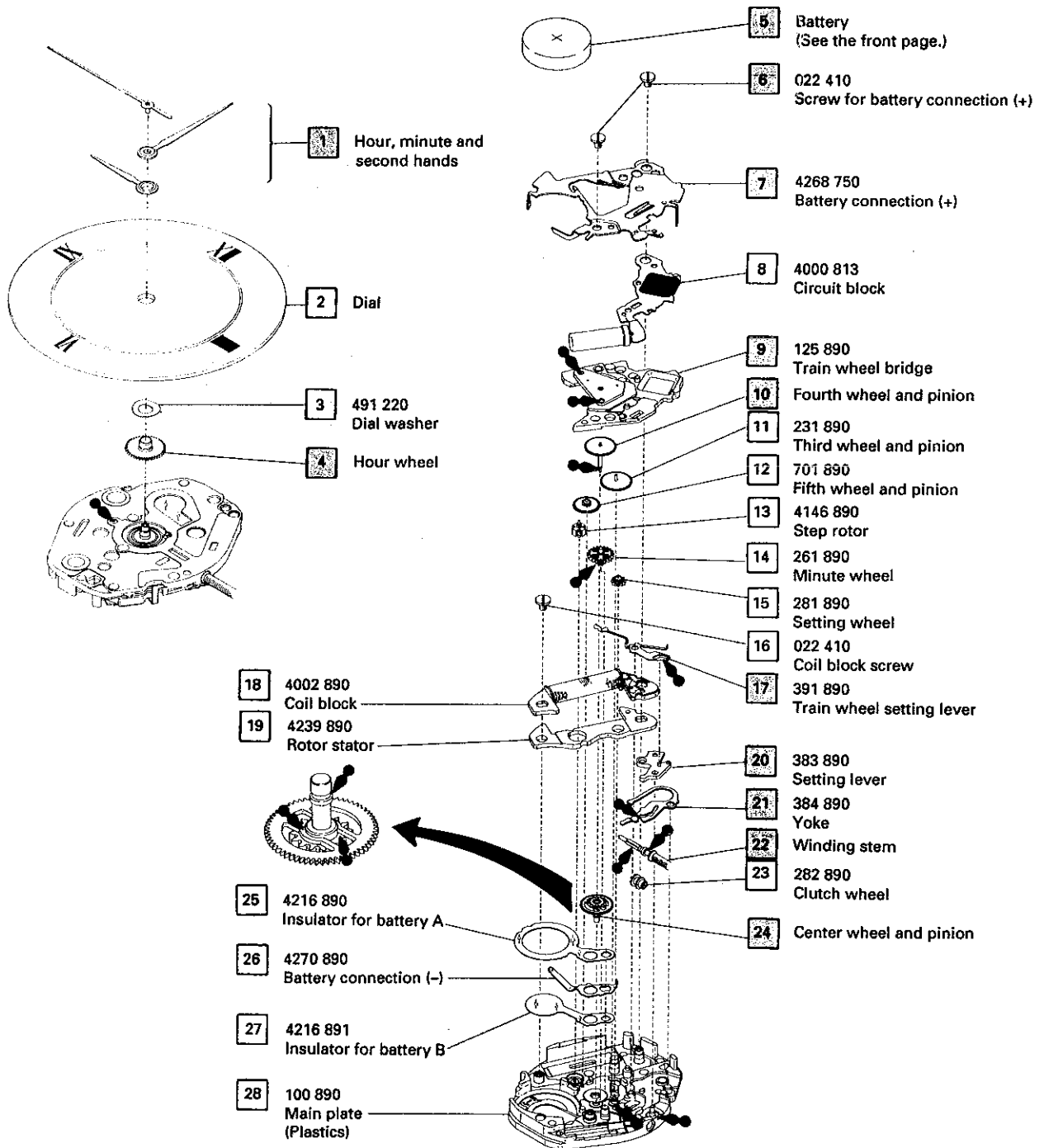
Reassembling procedures Figs. : 28 → 1

Lubricating: Types of oil

● Moebius A

Oil quantity

∞ Normal quantity



 → Please see the remarks on the following pages.

PARTS CATALOGUE

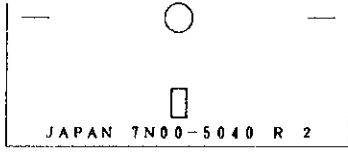
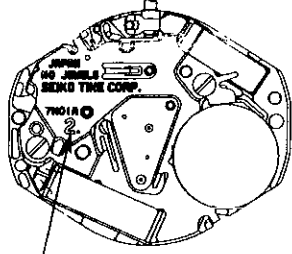
Cal. 7N00A, 7N01A

Remarks:

- ④ 4 Hour wheel
- 10 Fourth wheel and pinion
- ②② 24 Center wheel and pinion

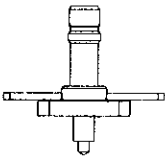

• **Discrimination of the installing height of the hands**

Cal. 7N series watches have numerals printed on the dial and the movement to indicate the installing heights of hands. When repairing, refer to the table below.

Discrimination	Height	Short type	Standard type	Extra long type
	Numeral for discrimination	1	2	4
Printed on		Dial		Movement
Printed position		Ex) Standard type  The numeral is printed at the right end.		Ex) Standard type  The numeral is printed below the calibre number.

Combination:

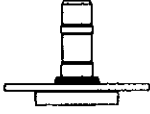
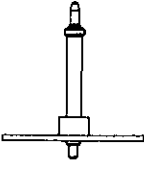


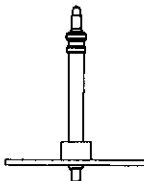

[Cal. 7N00A]

Numeral for discrimination	Center wheel and pinion	Hour wheel
1	 221 891	 271 891

PARTS CATALOGUE

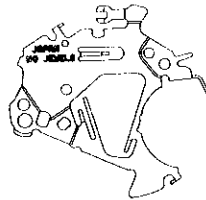
Cal. 7N00A, 7N01A

[Cal. 7N01A]

Numeral for discrimination	Center wheel and pinion	Fourth wheel and pinion	Hour wheel
1	 221 890	 241 891	 271 890
2	 221 892	 241 892	 271 892

⑦ 7 Battery connection (+)

Note: The battery connection (+) we are supplying has no calibre number nor numeral for discriminating the installing height of hands printed on it.

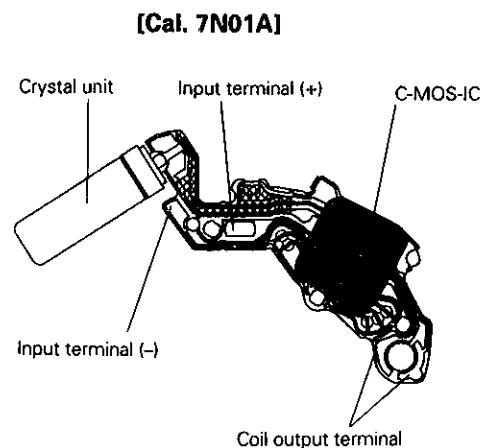
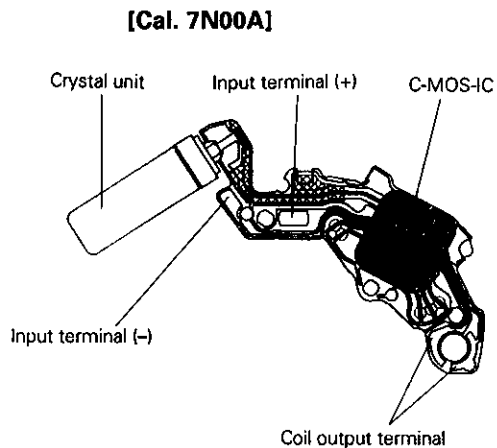


⑳ 22 351 890
Winding stem

The type of winding stem is determined based on the design of cases.
Check the case number and refer to "Casing Parts Catalogue" to choose a corresponding winding stem.

- The explanation here is only for the particular points of Cal. 7N00A and 7N01A.
- For repairing, checking and measuring procedures, refer to the "TECHNICAL GUIDE, GENERAL INSTRUCTIONS".

I. STRUCTURE OF THE CIRCUIT BLOCK



II. REMARKS ON DISASSEMBLING AND REASSEMBLING

Use the universal movement holder for disassembling and reassembling.

① 1 Hands

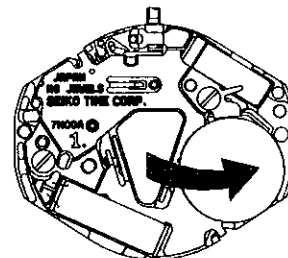
• Remarks on installing

When installing the hands, place the movement directly on a flat metal plate or the like.

⑤ 5 Battery

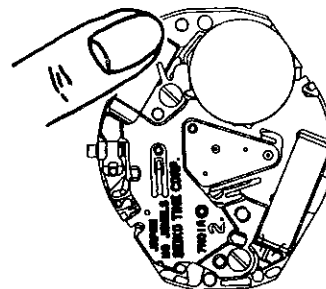
• How to install

Insert the battery aslant from the direction shown by the arrow.



⑥ 6 Screw for battery connection (+)

Fasten the screw on the crystal unit side while holding down the edge of the crystal unit.



TECHNICAL GUIDE

Cal. 7N00A, 7N01A

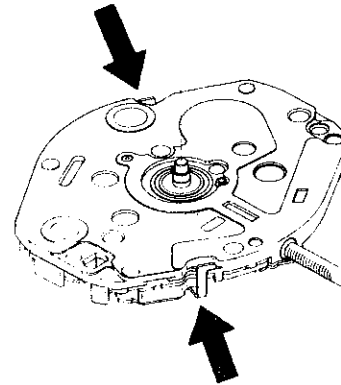
⑦ 7 Battery connection (+)

• How to install

Have the hooking portion (2 places) catch the main plate.

In disassembling and reassembling, take care not to deform the hooking portions.

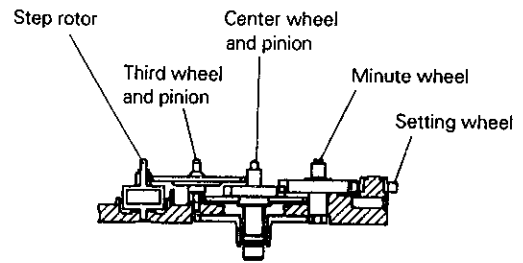
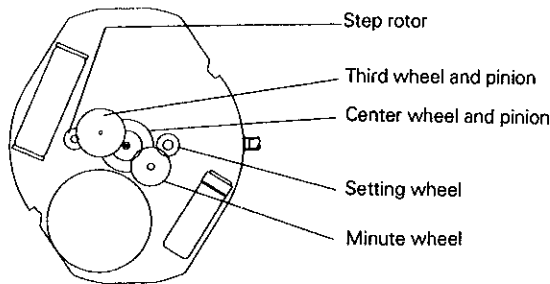
After installing the battery connection (+), check that the two hooking portions securely catch the main plate.



⑨ 9 Train wheel bridge

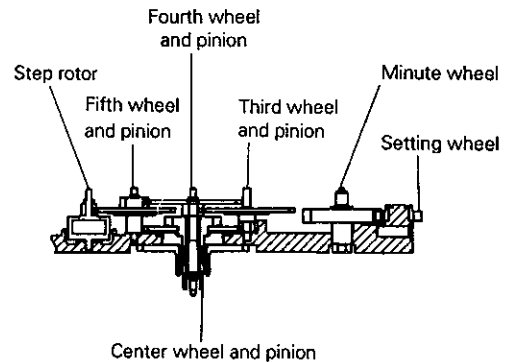
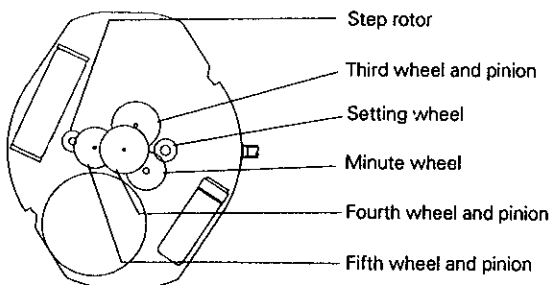
• Setting position

[Cal. 7N00A]



Note: Since the third wheel and pinion, step rotor and minute wheel are made of plastics, take care not to damage them in disassembling and reassembling.

[Cal. 7N01A]



Note: Since the third wheel and pinion, fifth wheel and pinion, step rotor and minute wheel are made of plastics, take care not to damage them in disassembling and reassembling.

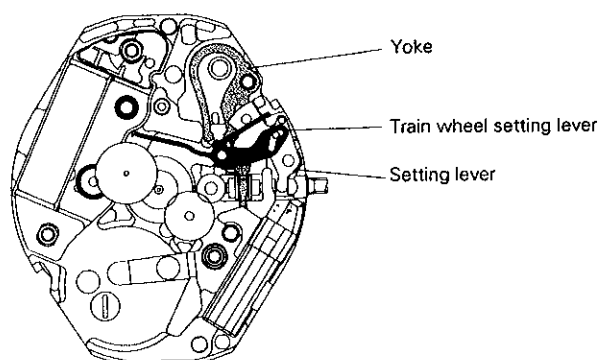
⑰ 17 Train wheel setting lever

⑱ 20 Setting lever

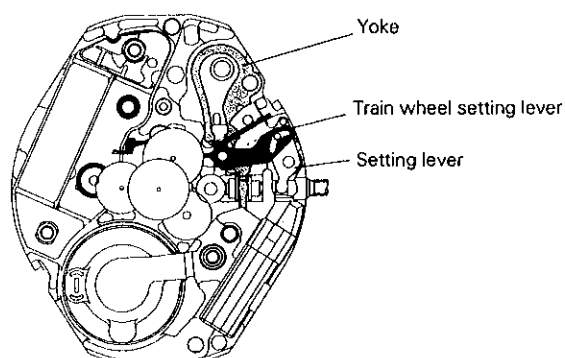
⑲ 21 Yoke

• **Setting position**

[Cal. 7N00A]



[Cal. 7N01A]



Note: Take care not to deform the spring portion of the yoke.

III. VALUE CHECKING

Cal. No.		7N00A	7N01A
Coil block resistance		1.9K Ω ~ 2.3K Ω	2.4K Ω ~ 2.8K Ω
Current consumption	For the whole of the movement	less than 0.6 μ A	less than 1.3 μ A
	For the circuit block alone	less than 0.5 μ A	less than 0.4 μ A

Remarks: When the current consumption exceeds the standard value for the whole of the movement but is less than the standard value for the circuit block alone, overhaul and clean the movement parts and then measure current consumption for the whole of the movement again. The driving pulse generated to compensate a heavy load that may apply on the gear train, etc. is considered to cause excessive current consumption for the whole of the movement.