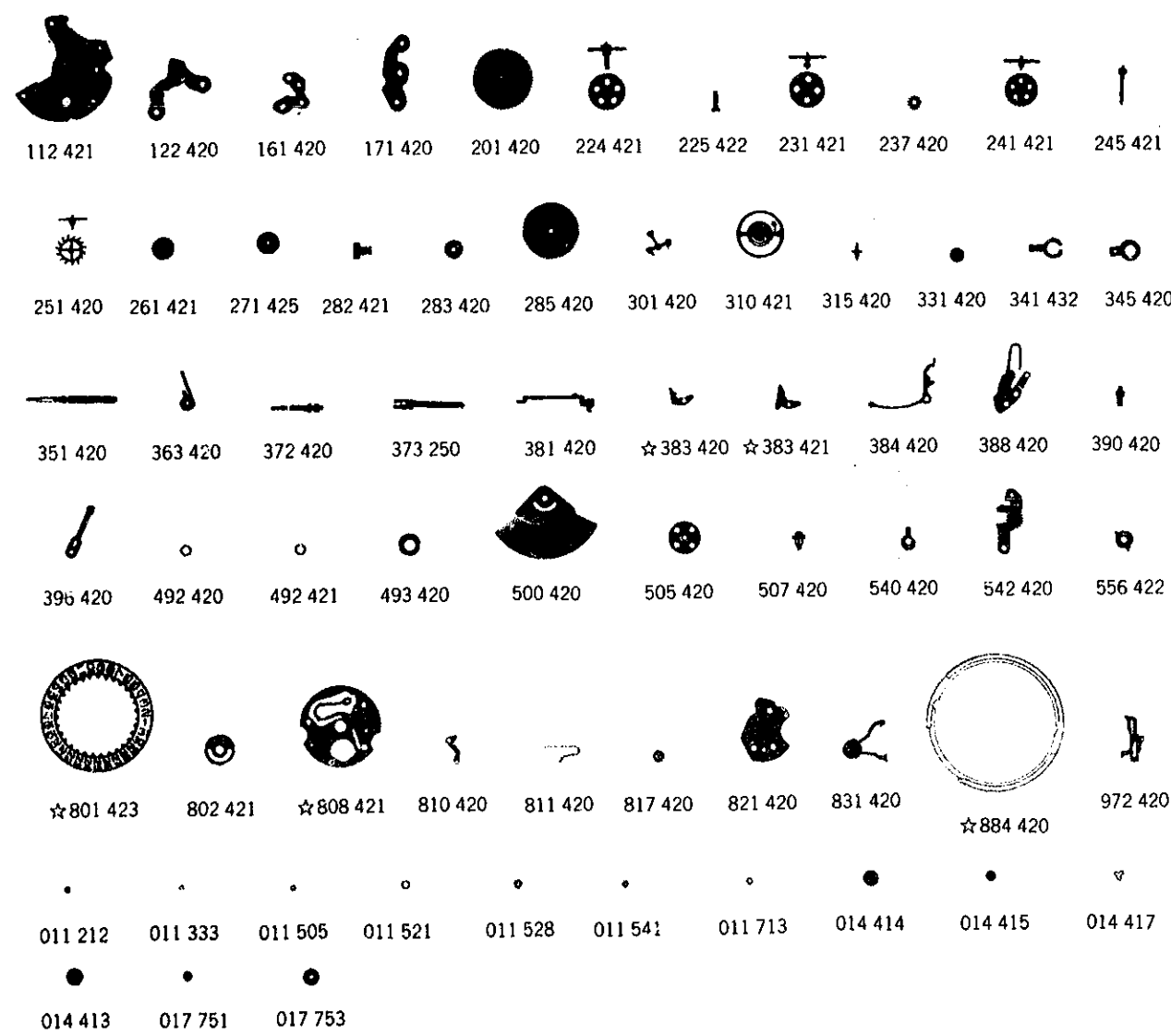
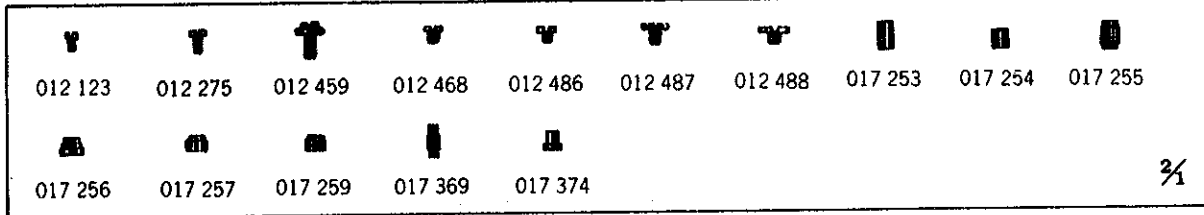


Cal. 4205A

Characteristics

Casing diameter : ϕ 17.2 mm
 Maximum height : 5.5 mm
 Vibrations per hour : 21,600
 Automatic and auxiliary hand winding with sweep second
 Calendar (date)
 Instant date change
 "Diashock" Shock Resistant Device





Catalog No.

Calibre No.	Jewels	Style Name	
4205A	17j		
PART NO.	PART NAME	PART NO.	PART NAME
112 421	Barrel & train-wheel bridge	972 420	Day-date corrector finger
122 420	Center wheel bridge	011 212	Diashock upper cap jewel
161 420	Pallet cock	011 212	Diashock lower cap jewel
171 420	Balance cock	011 333	Upper hole jewel for third wheel
201 420	Complete barrel with arbor & main spring	011 505	Upper hole jewel for pallet
		011 505	Lower hole jewel for pallet
224 421	Center wheel with cannon pinion	011 521	Upper hole jewel for center wheel
225 422	Cannon pinion	011 521	Lower hole jewel for center wheel
231 421	Third wheel & pinion	011 528	Upper hole jewel for escape wheel
237 420	Ratchet intermediate wheel	011 528	Lower hole jewel for escape wheel
241 421	Fourth wheel and pinion	011 541	Upper hole jewel for fourth wheel
245 421	Sweep second pinion	011 713	Lower hole jewel for sweep second pinion
251 420	Escape wheel & pinion		
261 421	Minute wheel	012 123	Stud screw
271 425	Hour wheel	012 275	Barrel & train wheel bridge screw
282 421	Clutch wheel	012 275	Balance cock screw
283 420	Winding pinion	012 275	Setting lever spring screw
285 420	Ratchet wheel	012 275	Screw for rocking seat for idle wheel
301 420	Jewelled pallet fork & staff	012 459	Case screw
310 421	Balance complete with stud	012 468	Center wheel bridge screw
315 420	Balance staff	012 468	Pallet cock screw
331 420	Roller with jewel	012 468	Date driving wheel screw
341 432	Regulator	012 468	Date dial guard screw
345 420	Stud holder	012 486	Screw for ball-bearing complete
351 420	Winding stem	012 487	Transmission wheel screw
363 420	Sliding crown wheel spring	012 488	Screw for oscillating weight
372 420	Joint stem (movement portion)	014 414	Diashock lower frame
373 250	Joint stem (crown portion)	014 415	Diashock upper hole jewel with frame
381 420	Click	014 415	Diashock lower hole jewel with frame
☆383 420	Setting lever	014 417	Diashock upper spring
☆383 421	Setting lever	014 417	Diashock lower spring
384 420	Yoke (Clutch lever)	014 413	Diashock upper frame
388 420	Setting lever spring	☆017 253	Tube for barrel & train-wheel bridge screw
390 420	Setting lever axle		
396 420	Friction spring for sweep second pinion	☆017 253	Tube for balance cock screw
		☆017 253	Tube for rocking seat for idle wheel
492 420	Balance cock washer (0.015 mm thickness, gold)	☆017 254	Tube for center wheel bridge screw (A)
492 421	Balance cock washer (0.028 mm thickness, silver)	☆017 254	Tube for pallet cock screw (B)
493 420	Hour wheel ring	017 255	Tube for center wheel bridge screw (B)
500 420	Oscillating weight	017 256	Tube for date driving wheel
505 420	Transmission wheel	017 257	Tube for date dial guard (A)
507 420	Transmission pinion	017 259	Tube for date dial guard (B)
540 420	Dial leg holder	017 369	Tube for pallet cock screw (A)
542 420	Rocking seat for idle wheel	017 374	Dial leg holder pin
556 422	Date finger	☆017 631	Tube for barrel & train wheel bridge screw
☆801 423		☆017 631	Tube for balance cock screw
☆801 424		☆017 631	Tube for rocking seat for idle wheel
☆801 425		☆017 633	Tube for center wheel bridge screw (A)
☆801 426		☆017 633	Tube for pallet cock screw (B)
802 421	Date driving wheel	017 751	Lower bush for transmission pinion
☆808 421	Date dial guard	017 753	Upper bush for transmission pinion
810 420	Date jumper		
811 430	Date jumper spring		
817 420	Intermediate date wheel		
821 420	Ball-bearing for oscillating weight		
831 420	Pawl lever with jewel		
☆884 420			
☆884 421			
☆884 422			
☆884 423	Holding ring for dial		

☆⇨ Please see remarks on the next page.
 Part numbers in light letters are not shown in photos.

Calibre No.	4205A	Jewels	17j	Style Name
-------------	--------------	--------	------------	------------

Remarks :

Setting lever

☆383 420 } There are two types of setting levers. Select the suitable setting lever by referring to
 ☆383 421 } the shapes in the photograph.
 If the combination of the setting lever and case is unknown, check the case number and refer to "SEIKO Casing Parts Catalogue" to choose an appropriate setting lever.

Date dial

☆801 423 (Black figures on white background) } Used when both the crown and the calendar frame
 ☆801 424 (White figures on black background) } are located at 3 o'clock position.
 ☆801 425 (Black figures on white background) } Used when the crown are located at 3 o'clock position
 ☆801 426 (White figures on black background) } and the calendar frame at 6 o'clock position.
 If any other type of date dial is required, specify ① Cal. No. ② Jewels ③ The crown position
 ④ The calendar frame position and ⑤ Dial No.

Date dial guard

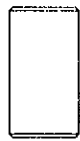

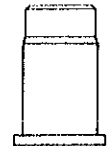

☆808 421 The date dial guard designated by the same parts number may have different types of shape, but they can be used in common.

Holding ring for dial

☆884 420 } The type of holding ring for dial is determined based on design of cases and dials.
 ☆884 421 } If the shape of holding ring for dial is different from the photograph, check the case
 ☆884 422 } number and refer to "SEIKO Casing Parts Catalogue" to choose a corresponding
 ☆884 423 } holding ring for dial.

Tube for barrel & train-wheel bridge screw, Tube for balance cock screw, Tube for rocking seat for idle wheel, Tube for center wheel bridge screw (A), Tube for pallet cock screw (B).

There are two different types as specified below.
Combination :

Type	Tube for barrel & train-wheel bridge screw Tube for balance cock screw Tube for rocking seat for idle wheel	Tube for center wheel bridge screw (A) Tube for pallet cock screw (B)
a	 ☆017 253	 ☆017 254
b	 ☆017 631	 ☆017 633

4205A 150 m Diver's Watch

1) SPECIFICATIONS

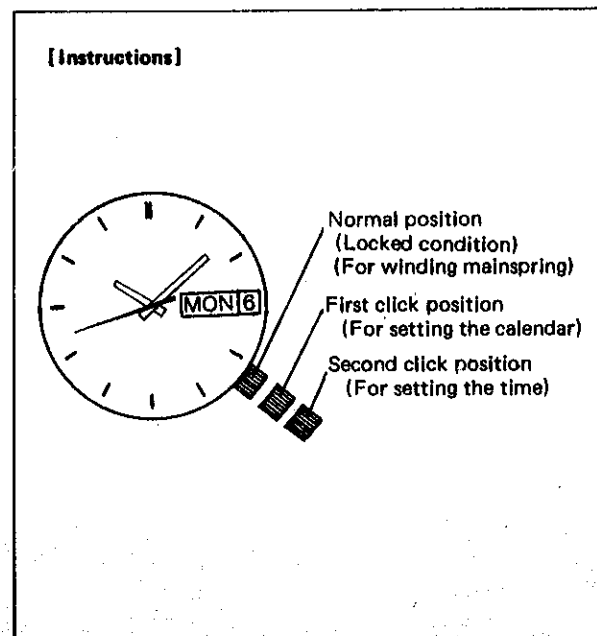
Outside diameter	φ17.5mm
Casing diameter	φ17.2mm
Height	5.5mm
Vibrations	21,600 times/hour
Automatic winding (with auxiliary hand winding)	
Calendar mechanism (instant date setting)	

2) FEATURES

- This watch is so designed as to function as a Diver's watch that has a high water resistant quality.

3) DISASSEMBLING AND REASSEMBLING

Refer to the TECHNICAL GUIDE Cal. 4206A for disassembling and reassembling of movement.



Disassembling, reassembling and lubricating of the case

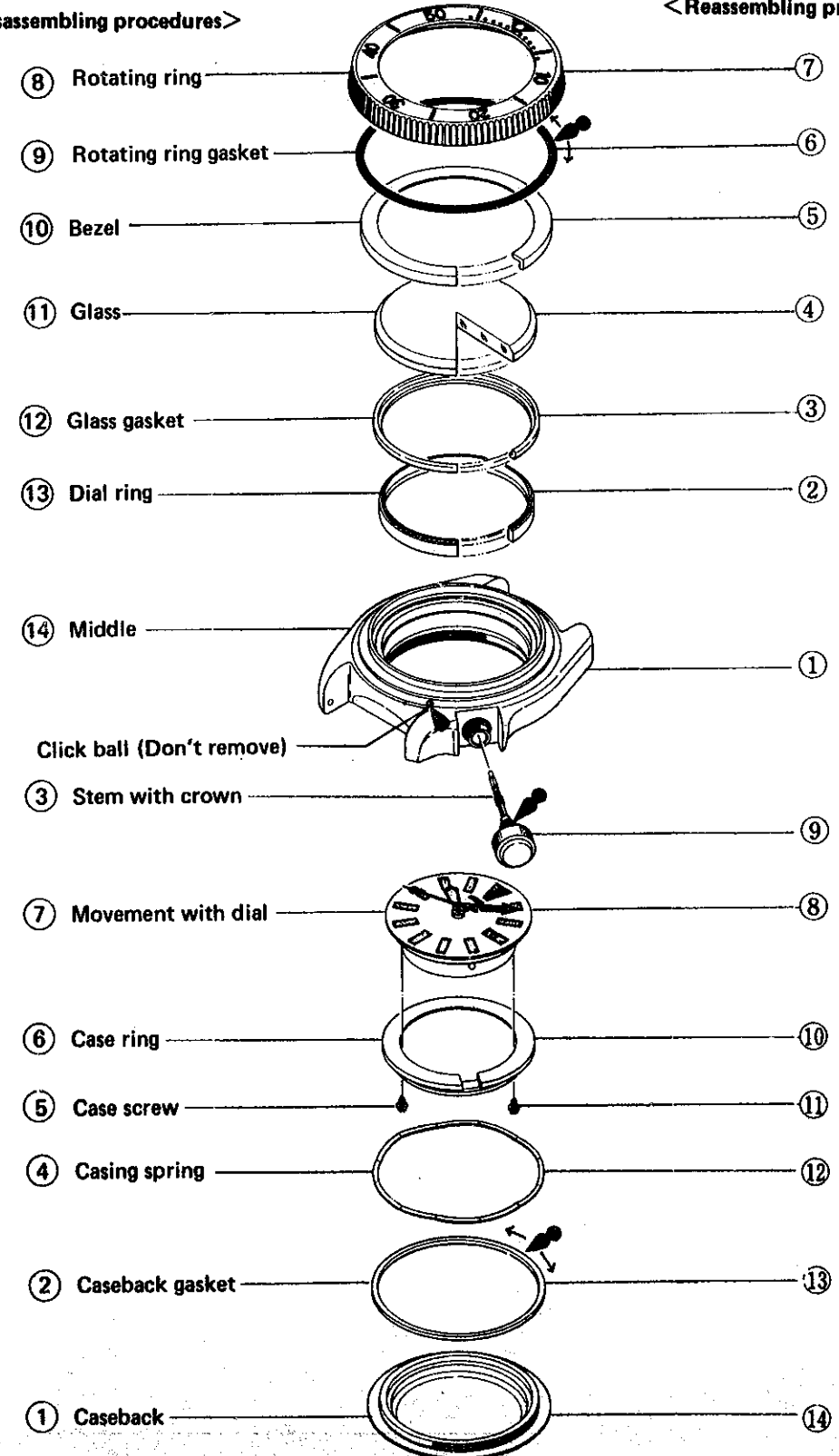
• Lubricating

Types of oil
Silicone grease 500,000 c.s.

Oil quantity
 Extremely small quantity
 Normal quantity

<Disassembling procedures>

<Reassembling procedures>



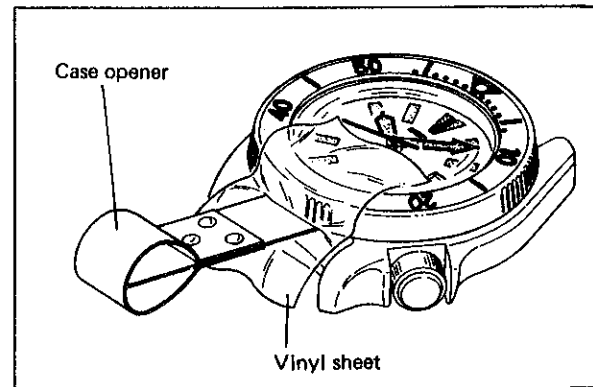
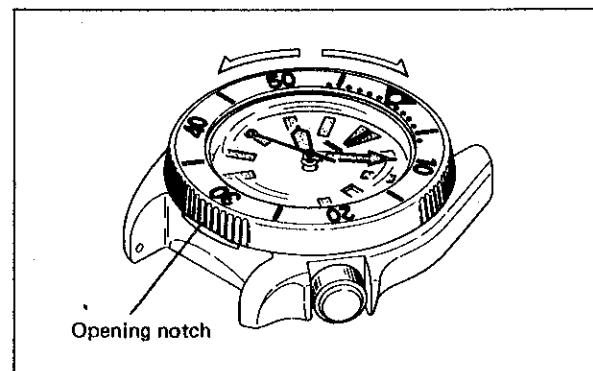
Be sure to take special care with diver's watches and follow the notes below.

- Repair the watch in a room free of dust and lint, and with low humidity.
- Be sure to check that the hands don't rub against the dial or glass or each other, but move smoothly.
- Be sure to check if there are any glass defects or loosened screw.
- After repair, conduct the water resistance test with a water resistance tester (testing capacity, 0-50 Atm.)

Remarks on disassembling the glass portion. (Do not disassemble except when it is being replaced.)

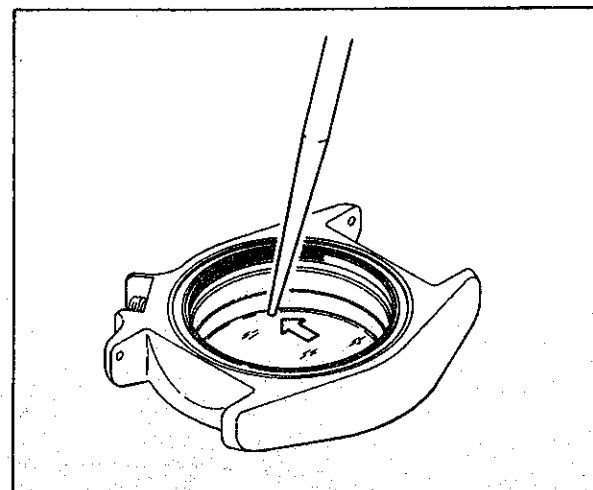
⑧ Rotating ring

- Rotate the rotating ring to align its opening notch with that of the middle (6 o'clock position).
- Put the case opener into the opening notch and pry it up slowly.



⑪ Glass

- Put the case opener into the opening notch positioned at the 6 o'clock side of the middle and pry up the bezel to remove it. After that, push the edge of the glass from the inside of the middle with a sharpened soft stick.
- As the back surface of the glass is specially coated, be careful not to scratch it with the soft stick.
- If there is any stain on the back surface of the glass, clean it by blowerbrush and never wipe it off with a cloth.



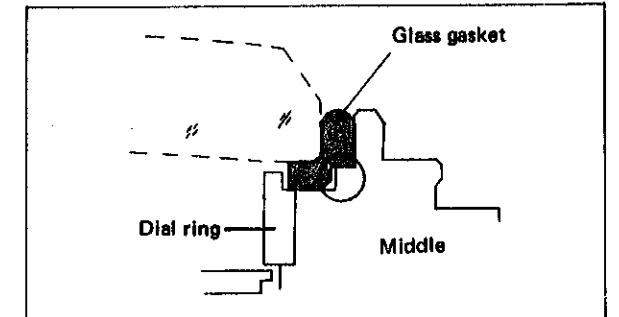
Remarks on reassembling the glass portion

Dry the parts completely and reassemble the watch in a room free of dust and lint, and with low humidity

⑫ Glass gasket

Check for dust and lint on the setting position of the glass, and set as shown in the figure at right.

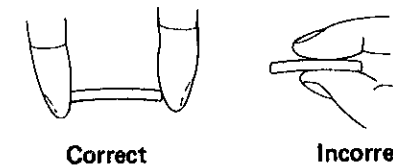
Note: Do not lubricate the glass gasket.



④ Glass

- After replacing the glass, be sure to check if it is set horizontally. And also check to see if the glass gasket is placed in position correctly.

Note: Do not touch the inside of the glass as it is specially treated. When setting the glass, hold the outside periphery with a fingertip on finger.

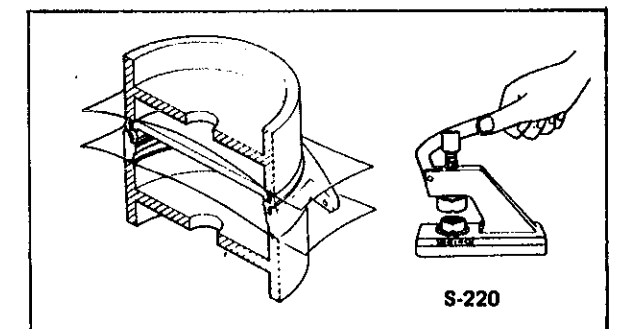


- In case resetting of the glass is needed, remove the glass again by pushing it with a stick as explained above.

⑤ Bezel

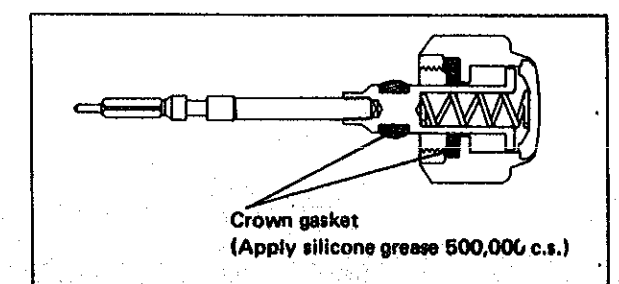
⑦ Rotating ring

When setting the bezel or rotating ring in place, use a proper size supporting disk and an inserting disk.



⑨ Stem with crown

After lubricating the crown gaskets indicated in the illustration, set the stem with crown to middle slowly so that the crown gasket is not damaged.



PROCEDURES FOR CHECKING AND ADJUSTMENT

The following instruments are necessary to perform repairs.

1. Microscope
2. Timegrapher
3. Water resistance tester (testing capacity, 0-50 Atm.)

