

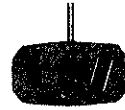
LASSALE

QUARTZ

Cal. 2E50A

**PARTS
CATALOGUE**

Cal. 2E50A



125 042



141 202



231 202



241 202



261 202



☆270 202



☆271 202



281 202



282 202



☆351 205



383 202



384 202



388 202



491 202



493 201



4000 208



4002 202



4146 202



4219 210



4239 202



4270 210



4408 208



4408 209



4408 210



4450 202



4457 081



☆SEIKO TR521SW



012 038



012 792



012 824



017 779



032 015



032 016



032 017



032 018

3/4

Cal. 2E50A

Characteristics

Casing diameter : ϕ 15.1 mm
 Maximum height : 2.2 mm without battery
 Jewels : 2 j
 Frequency of quartz crystal oscillator : 32,768 Hz (Hz=Hertz Cycles per second)
 Driving system : Step motor (2 poles)
 Regulation system : Regulating switch lever
 Train wheel setting

PART NO.	PART NAME	PART NO.	PART NAME
125 042	Train wheel bridge		
141 202	Fourth wheel bridge		
231 202	Third wheel & pinion		
241 202	Fourth wheel & pinion		
261 202	Minute wheel		
☆270 056	Center minute wheel		
☆270 202			
☆270 203			
☆271 071			
☆271 202		Hour wheel	
☆271 203	Setting wheel		
281 202		Clutch wheel	
282 202	Winding stem		
☆351 205			
☆351 206			
☆351 207			
☆351 208	Setting lever		
383 202		Yoke	
384 202		Setting lever spring	
388 202	Dial washer		
491 202	Hour wheel ring (Thickness 0.03 mm)		
493 201	Hour wheel ring (Thickness 0.05 mm)		
493 202	Hour wheel ring (Thickness 0.07 mm)		
493 203	Circuit block		
4000 208	Coil block		
4002 202	Step rotor		
4146 202	Battery connection insulator		
4219 210	Rotor stator		
4239 202	Battery connection (-)		
4270 210	Circuit block spacer (A)		
4408 208	Circuit block spacer (B)		
4408 209	Battery connection (-) spacer		
4408 210	Regulating switch lever		
4450 202	Circuit block cover		
4457 081	Lower hole jewel for step rotor		
011 334	Upper hole jewel for step rotor		
011 566	Train wheel bridge screw		
012 038	Circuit block screw		
012 792	Setting lever spring screw		
012 824	Lower bush for center minute wheel		
017 779	Tube for train wheel bridge (A)		
032 015	Tube for train wheel bridge (B)		
032 016	Tube for coil block		
032 017	Tube for circuit block		
032 018	Battery		
☆SEIKO TR521SW			

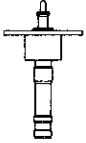

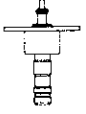

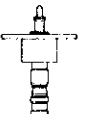

☆ ⇨ Please see remarks on the revers page.
 Part numbers in light letters are not shown in photos.

Cal. 2E50A

Remarks :

Center minute wheel, Hour wheel

There are three different types as specified below.
Combination :

Type	Center minute wheel	Hour wheel
a.	 ☆270 056	 ☆271 071
b.	 ☆270 202	 ☆271 202
c.	 ☆270 203	 ☆271 203

Winding stem

- ☆351 205 } Refer to the photograph on the front page.
- ☆351 206 } If the combination of the winding stem and case is unknown, check the case number
- ☆351 207 } and refer to "SEIKO Quartz Casing Parts Catalogue" to choose a
- ☆351 208 } corresponding winding stem.

Battery

- ☆SEIKO TR521SW.....The substitute battery might be authorized in the future.
In that case please refer to separate "BATTERY LIST FOR SEIKO QUARTZ WATCHES".