

SEIKO

QUARTZ

Cal. 1E20A

**PARTS
CATALOGUE**

Cal. 1E20A



☆ 125 930



☆ 221 930



231 930



241 930



261 930



☆ 271 930



282 930



354 930



383 930



384 930



389 930



491 930



767 930



4001 505



4002 505



4146 505



4216 505



4216 506



4219 505



4239 505



4270 505



4271 500



4408 930



4450 505



☆ Maxell SR512SW



022 342



022 343

3/1

Cal. 1E20A

Characteristics

Casing diameter : ϕ 8.5 mm
 Maximum height : 2.6 mm
 Jewels : 5 j
 Frequency of quartz crystal oscillator : 32,768 Hz (Hz=Hertz Cycles per second)
 Driving system : Step motor (2 poles)
 Regulation system : Rotary step switch
 Train wheel setting

PART NO.	PART NAME	PART NO.	PART NAME
☆125 930 } ☆125 931 }	Train wheel bridge		
☆221 930 } ☆221 931 }	Center wheel & pinion		
231 930	Third wheel & pinion		
241 930	Fourth wheel & pinion		
261 930	Minute wheel		
☆271 930 } ☆271 931 }	Hour wheel		
282 930	Clutch wheel		
354 930	Winding stem		
383 930	Setting lever		
384 930	Yoke		
389 930	Setting lever spring		
491 930	Dial washer		
767 930	Spacer for setting lever axle spring		
4001 505	Circuit block		
4002 505	Coil block		
4146 505	Step rotor		
4216 505	Insulator for battery		
4216 506	Insulator for battery connection (-)		
4219 505	Battery connection insulator		
4239 505	Rotor stator		
4270 505	Battery connection (-)		
4271 500	Battery connection (+)		
4408 930	Circuit block spacer		
4450 505	Rotary step switch		
011 425	Upper hole jewel for third wheel		
011 425	Upper hole jewel for fourth wheel		
011 425	Lower hole jewel for fourth wheel		
011 503	Lower hole jewel for step rotor		
011 568	Upper hole jewel for step rotor		
022 342	Train wheel bridge screw		
022 342	Setting lever spring screw		
022 342	Battery connection (+) screw		
022 343	Rotary step switch screw		
027 155	Tube for setting lever spring screw		
027 156	Tube for battery connection (+) screw		
027 159	Tube for rotary step switch screw		
027 771	Minute wheel pin		
027 772	Setting lever pin		
027 773	Hooking pin for yoke spring		
027 774	Tube for train wheel bridge		
☆Maxell SR512SW	Silver oxide battery		
☆SEIKO SR512SW	Silver (II) oxide battery		

☆ ⇨ Please see remarks on the reverse page.
 Part numbers in light letters are not shown in photos.

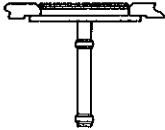
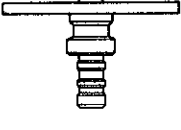

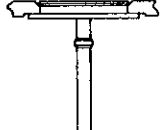
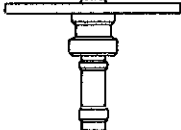
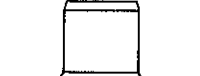
Cal. 1E20A

Remarks :

Train wheel bridge, Center wheel & pinion, Hour wheel

There are two different types as specified below.

Combination :

Type	Train wheel bridge	Center wheel & pinion	Hour wheel
a	 ☆125 930	 ☆221 930	 ☆271 930
b	 ☆125 931	 ☆221 931	 ☆271 931

Battery

- ☆Maxell SR512SW }
- ☆SEIKO SR512SW }

The substitutive battery might be added to the applied battery in the future.
 In that case, please refer to separate **"BATTERY LIST FOR SEIKO QUARTZ WATCHES"**.

Note that SEIKO battery is marked with "SEIZAIKEN" on its (+) side.