

ISA SPECIALITY

Cal. 9232 / 1950

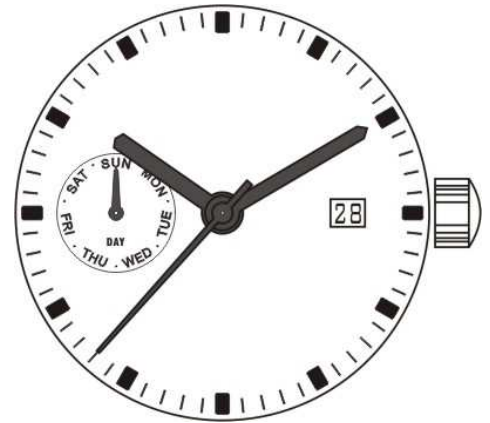


FAR EAST ASSEMBLY

10 1/2 '''

23.30 mm

H. 4.13



In conformity with RoHS standard

MultiFunction

9h



Day by
Hand

3h



Date by
window

ISASWISS
WATCH MECHANISMS

Characteristics :

Electronic quartz movement. Rotating stepping motor, 1 step per second.
4 hands, central second.
1 eye: day.
Date by window, quick date correction.
Stem 3 positions.
Mechanical and electrical stop device.

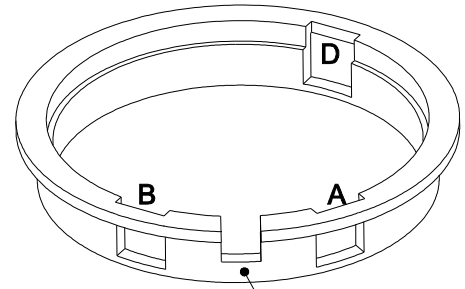
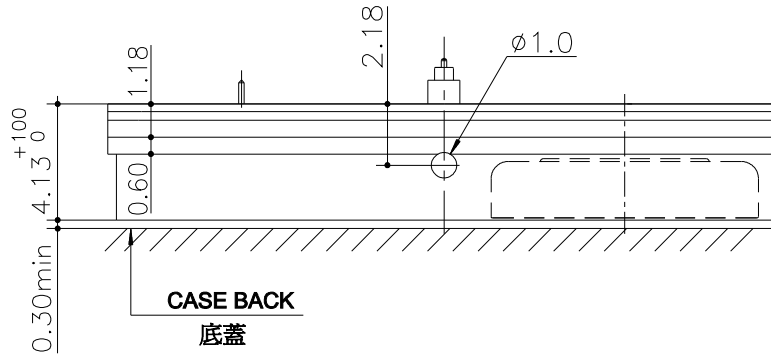
特性：

石英機芯, 步進馬達, 每秒跳一步距。
4 針, 中心秒針。
1 眼指示: 星期。
快調日曆校正。
3 字把芯。
機械與電子停止裝置。

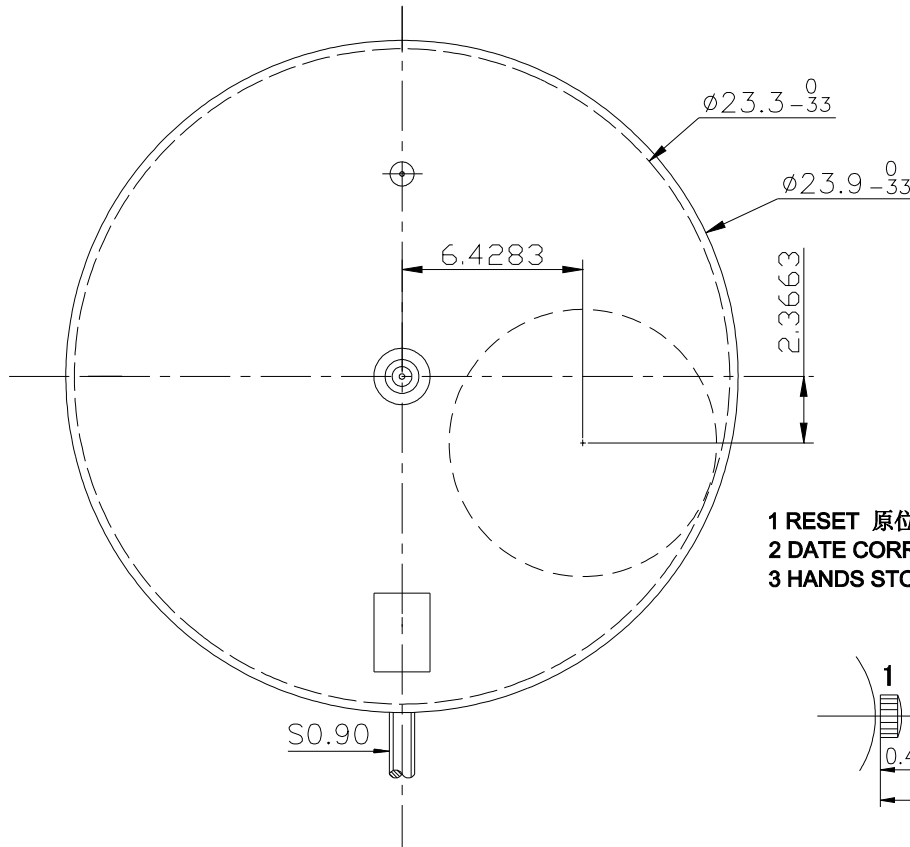
Criteria 標準	Conditions 條件	Min. 最小	Typ. 典型	Max. 最大	Units 單位
Current consumption 耗電量	U=1,55V T=25°C		1.85		µA
Instantaneous rate 準確度	U=1,55V T=25°C	-0.5 (-15)		+0.5 (+15)	s/day / 秒/日 (s/month / 秒/月)
Operating temperature 操作溫度		0		+50	°C
Resistance to magnetic fields 抗磁性			1500 (18.8)		A/m (Oe)

Qty 數量	Designation 名稱	Model 型號	Voltage 電壓	Code 編碼	Capacity 容量	Theoretical Autonomy 電池壽命
1	Battery 9.50 x 2.10 電池	SR 920 SW	1,55 V	371	42 mAh	Approx. 32 months 約32個月

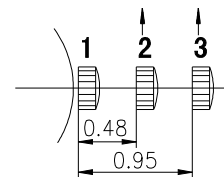
FRAME 框架



Casing ring needs to have clearance on pusher position A, B and D.
內單需要做避空 A, B, D 按制位



- 1 RESET 原位
- 2 DATE CORRECTION 快調日曆
- 3 HANDS STOP 調校時間

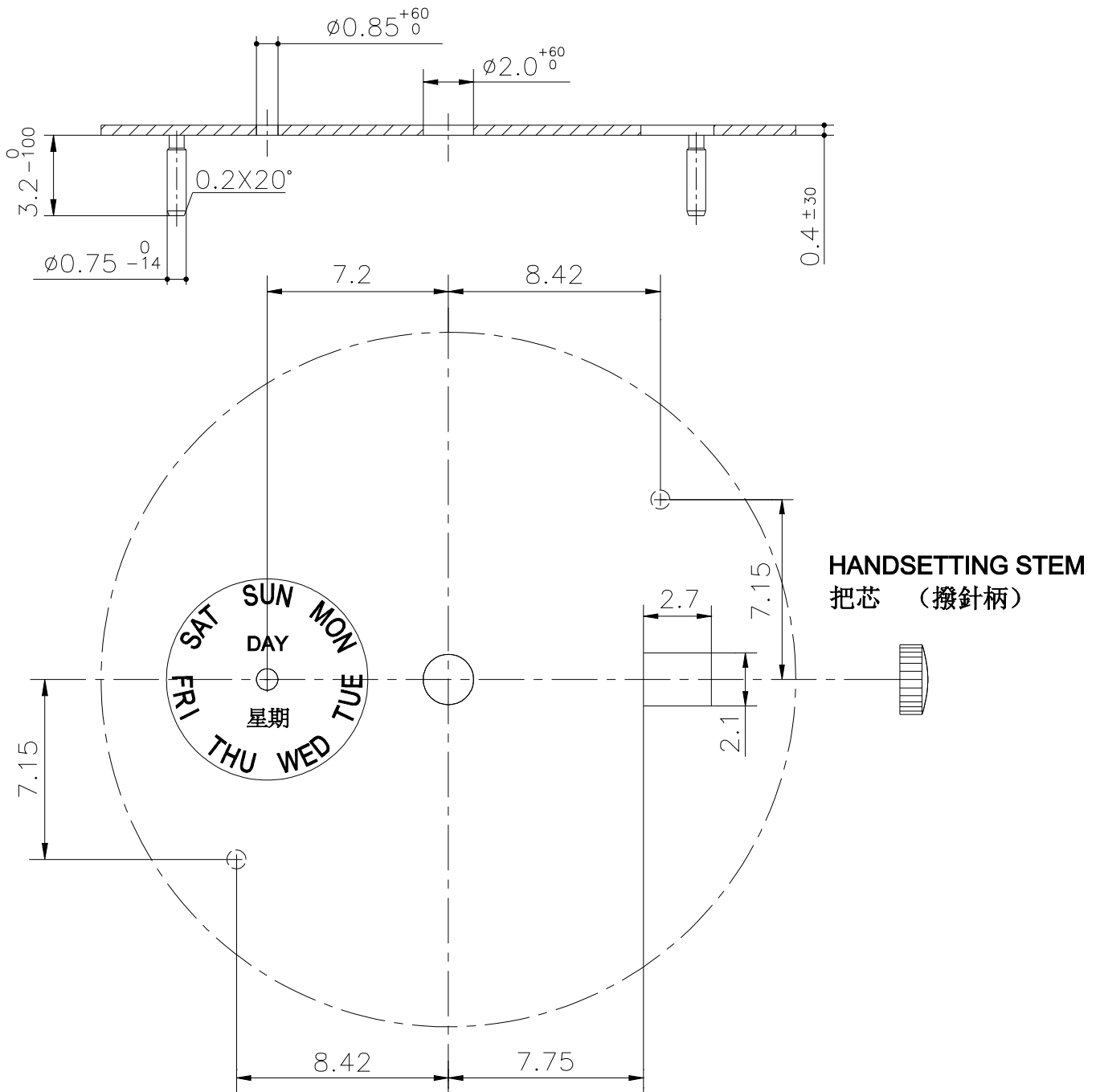


DIMENSIONS IN mm. - TOLERANCES IN μm.

In conformity with RoHS standard

Doc. n° 0312246 - F Up date . 08/04/2013 - Page 3

DIAL 表盤

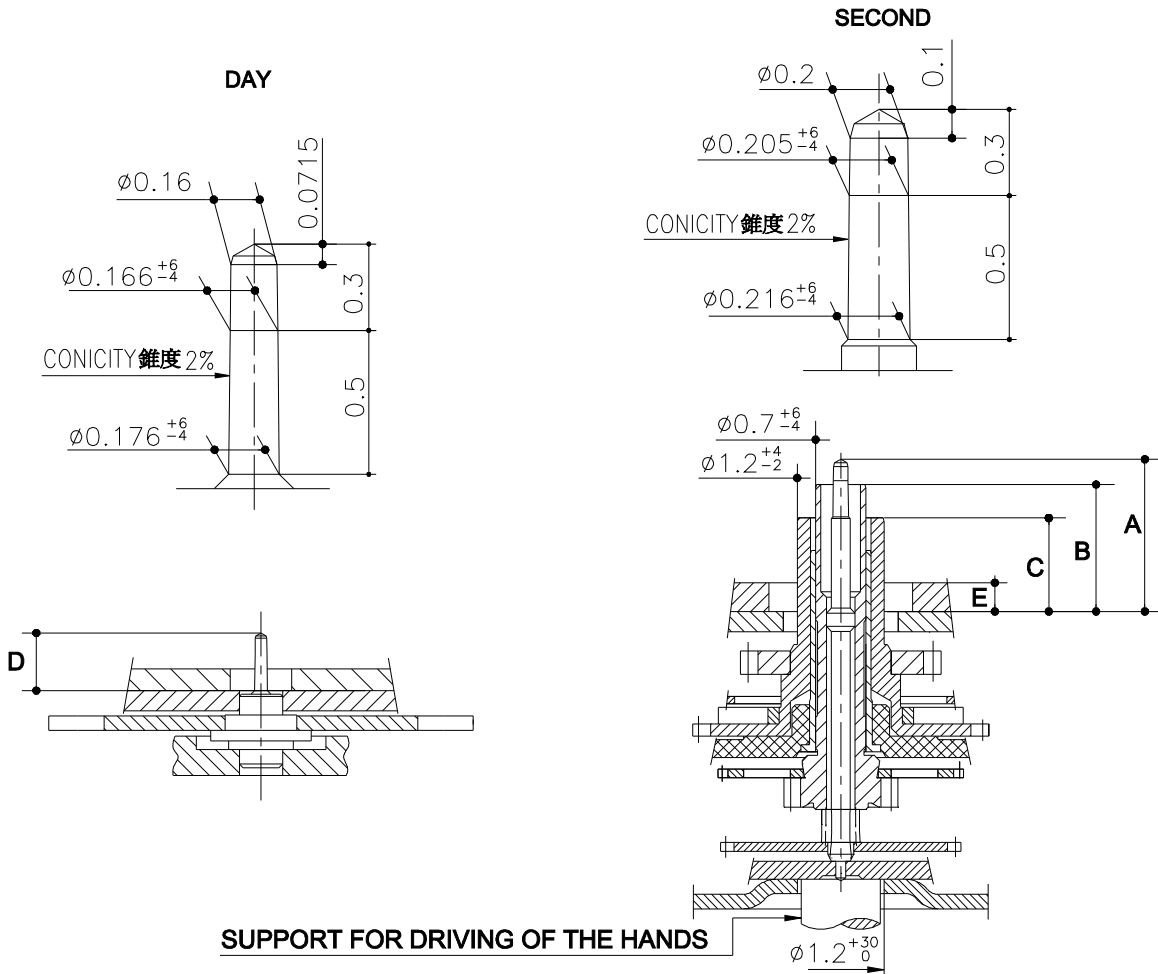


DIMENSIONS IN mm. - TOLERANCES IN μm.

In conformity with RoHS standard

Doc. n° 0312246 - F Up date . 08/04/2013 - Page 4

HAND-FITTING 針高



SUPPORT FOR DRIVING OF THE HANDS

HAND-FITTING 針高	Height over dial seat				Dial Thickness 表面厚度
	A	B	C	D	E
	SECOND 秒	MINUTE 分	HOUR 时	DAY 小针	
N°2	2.10	1.75	1.30	0.80	0.40
N°3	2.35	2.00	1.55	1.05	0.70

450 g SHOCKS 450克 冲击力	Mass 重量	Unbalance 不平衡	Inertia 惯性	PRESS-IN-FORCE 装针力度
Hour Hand - 时针	≤ 2750 mg	N/A	≤ 88 gmm ²	≤ 25 N
Minute Hand - 分针	≤ 250 mg	≤ 0.8 μNm	≤ 8 gmm ²	≤ 25 N
Second Hand - 秒针	≤ 5 mg	≤ 0.2 μNm	≤ 0.16 gmm ²	≤ 25 N
Small Counters Hands - 小针	≤ 5 mg	≤ 0.2 μNm	≤ 0.16 gmm ²	≤ 20 N

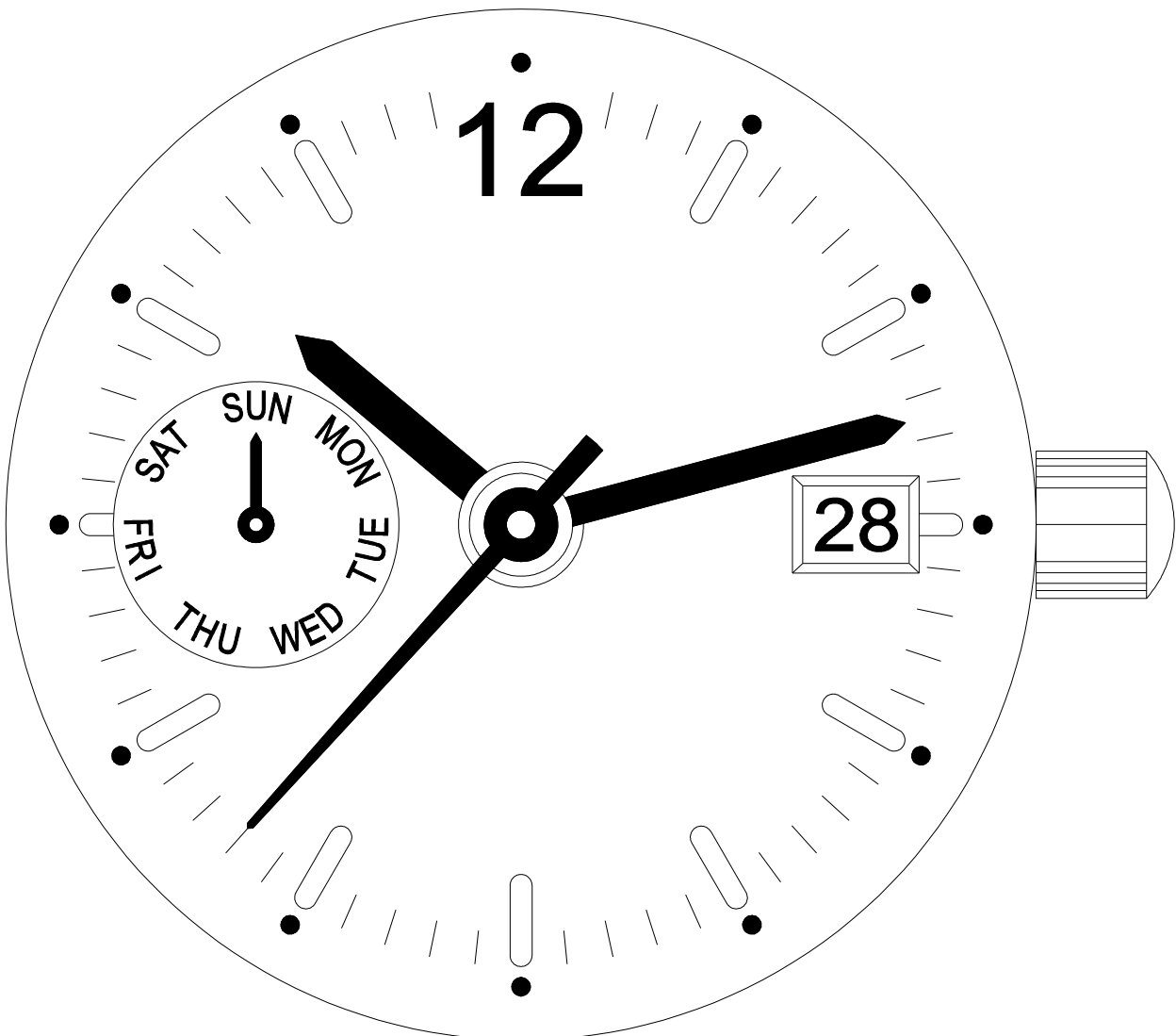
DIMENSIONS IN mm. - TOLERANCES IN μm.

In conformity with RoHS standard

Doc. n° 0312246 - F Up date . 08/04/2013 - Page 5

Design example

设计范例



In conformity with RoHS standard

Doc. n° 0312246 - F Up date . 08/04/2013 - Page 6