

**ISA SPECIALITY**

Cal. 9231 / 1890



FAR EAST ASSEMBLY

10 1/2 '''

23.30 mm

H. 4.13



In conformity with RoHS standard

### MultiFunction

9h

3h

MON

28

Day by Hand

Date by Hand

**ISASWISS**  
WATCH MECHANISMS

### Characteristics :

Electronic quartz movement. Rotating stepping motor, 1 step per second.  
5 hands, central second.  
2 eyes: day, date.  
Quick date correction.  
Stem 3 positions.  
Mechanical and electrical stop device.

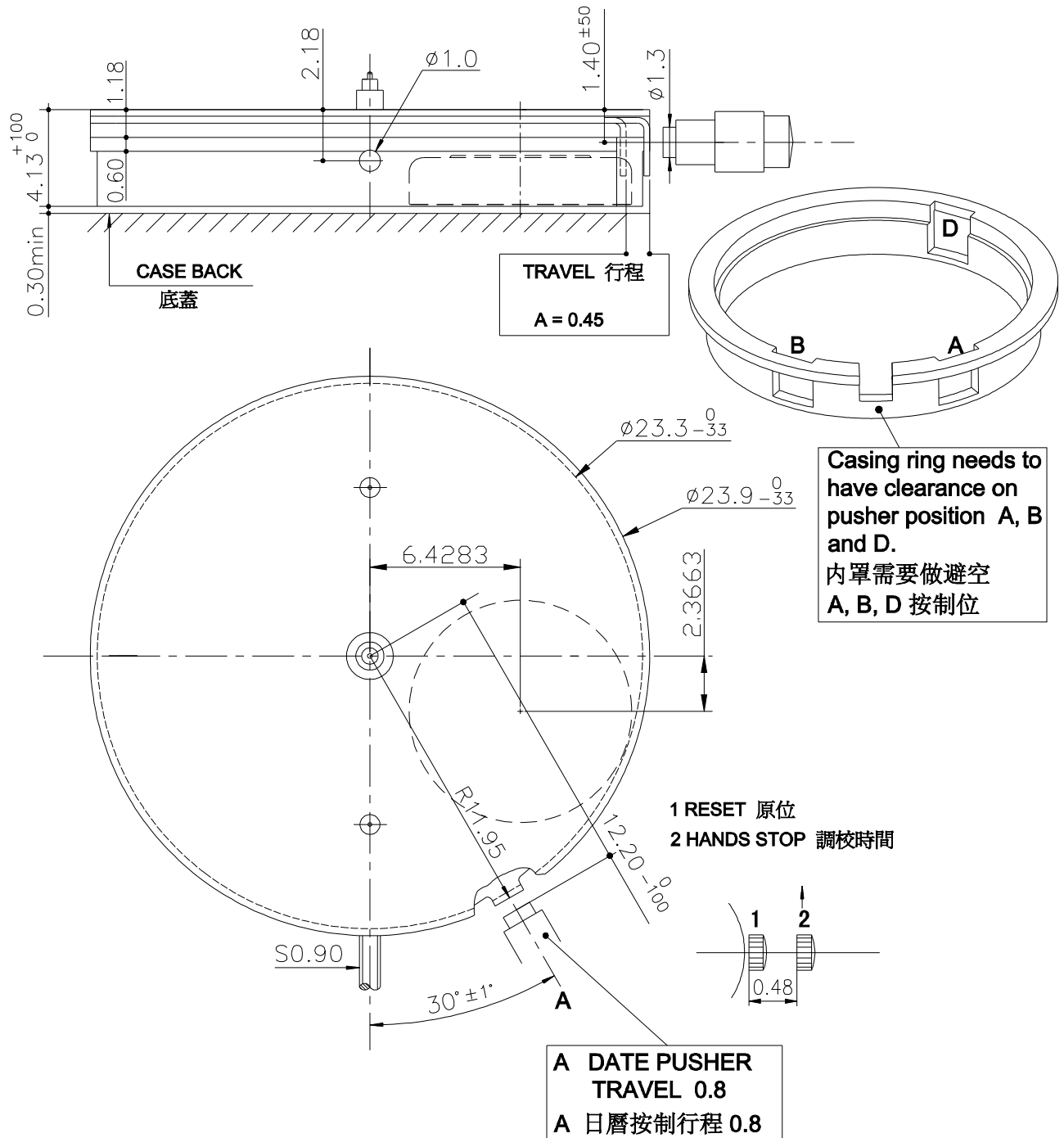
### 特性：

石英機芯, 步進馬達, 每秒跳一步距。  
5 針, 中心秒針。  
2 眼指示: 星期, 日曆。  
快調日曆校正。  
3 字把芯。  
機械與電子停止裝置。

| Criteria<br>標準                       | Conditions<br>條件 | Min.<br>最小    | Typ.<br>典型     | Max.<br>最大    | Units<br>單位                    |
|--------------------------------------|------------------|---------------|----------------|---------------|--------------------------------|
| Current consumption<br>耗電量           | U=1,55V T=25°C   |               | 1.85           |               | µA                             |
| Instantaneous rate<br>準確度            | U=1,55V T=25°C   | -0.5<br>(-15) |                | +0.5<br>(+15) | s/day / 秒/日<br>(s/month / 秒/月) |
| Operating temperature<br>操作溫度        |                  | 0             |                | +50           | °C                             |
| Resistance to magnetic fields<br>抗磁性 |                  |               | 1500<br>(18.8) |               | A/m<br>(Oe)                    |

| Qty<br>數量 | Designation<br>名稱            | Model<br>型號 | Voltage<br>電壓 | Code<br>編碼 | Capacity<br>容量 | Theoretical Autonomy<br>電池壽命 |
|-----------|------------------------------|-------------|---------------|------------|----------------|------------------------------|
| 1         | Battery<br>9.50 x 2.10<br>電池 | SR 920 SW   | 1,55 V        | 371        | 42 mAh         | Approx. 32 months<br>約32個月   |

## FRAME 框架

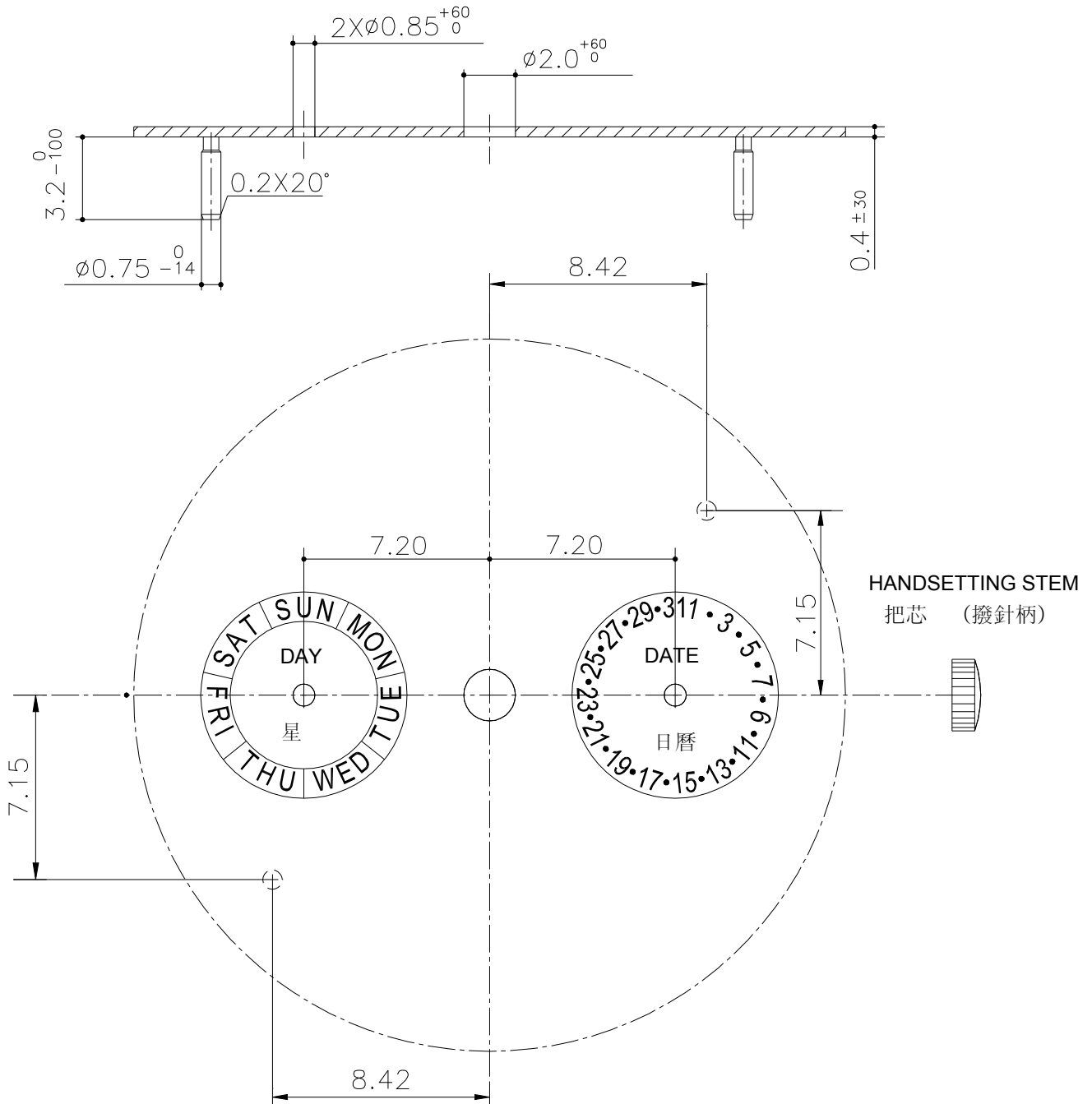


DIMENSIONS IN mm - TOLERANCES IN  $\mu$ m.

In conformity with RoHS standard

Doc. n° 0312240 - F Up date . 08/04/2013 - Page 3

## DIAL 表盤

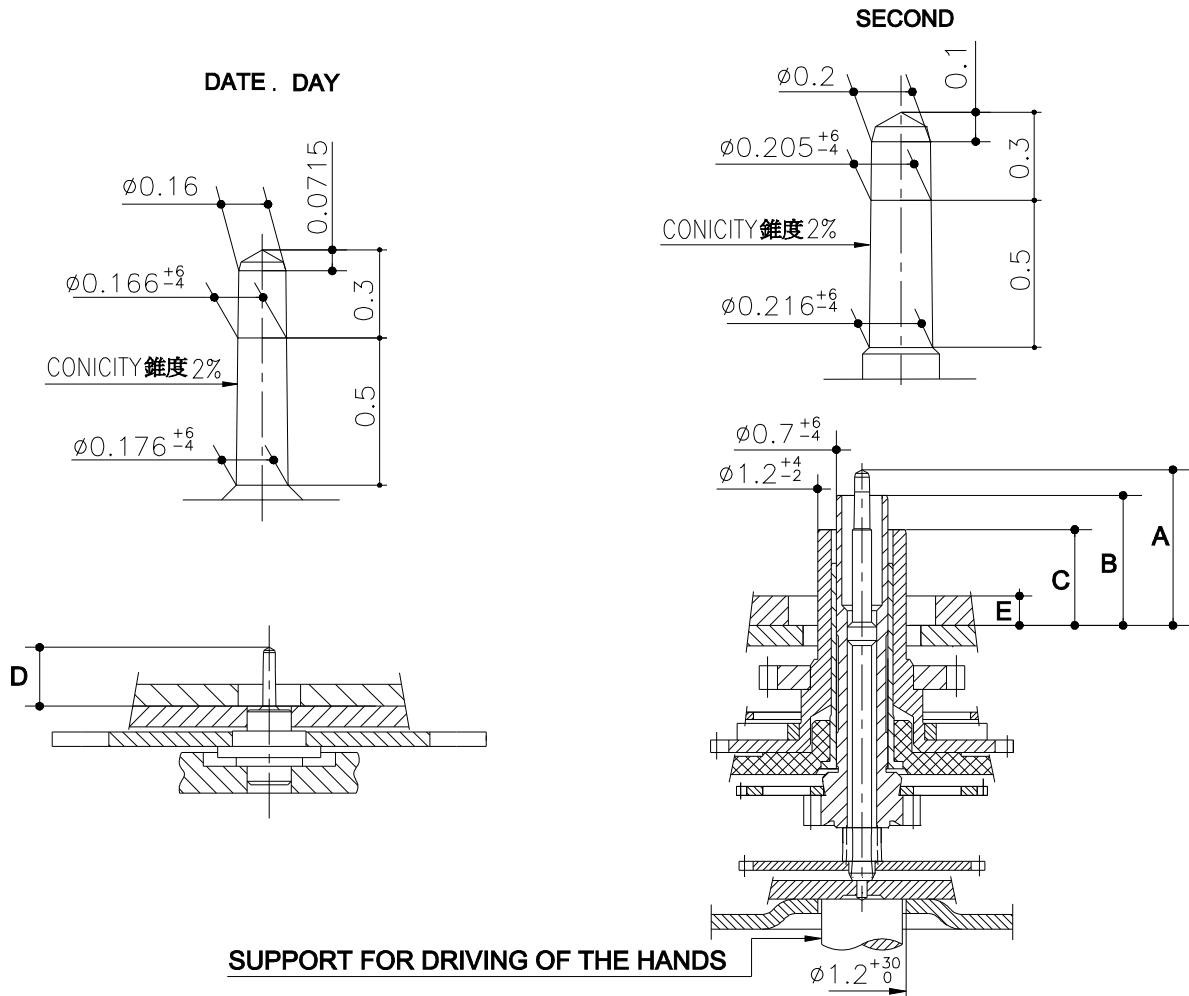


DIMENSIONS IN mm - TOLERANCES IN  $\mu\text{m}$ .

In conformity with RoHS standard

Doc. n° 0312240 - F Up date . 08/04/2013 - Page 4

### HAND-FITTING 針高



| HAND-FITTING<br>針高 | Height over dial seat |             |           |                | Dial Thickness<br>表面厚度 |
|--------------------|-----------------------|-------------|-----------|----------------|------------------------|
|                    | A                     | B           | C         | D              | E                      |
|                    | SECOND<br>秒           | MINUTE<br>分 | HOUR<br>時 | DATE DAY<br>小針 |                        |
| N°2                | 2.10                  | 1.75        | 1.30      | 0.80           | 0.40                   |
| N°3                | 2.35                  | 2.00        | 1.55      | 1.05           | 0.70                   |

| 450 g SHOCKS<br>450克 冲击力  | Mass<br>重量 | Unbalance<br>不平衡 | Inertia<br>慣性           | PRESS-IN-FORCE<br>裝針力度 |
|---------------------------|------------|------------------|-------------------------|------------------------|
| Hour Hand - 時針            | ≤ 2750 mg  | N/A              | ≤ 88 gmm <sup>2</sup>   | ≤ 25 N                 |
| Minute Hand - 分針          | ≤ 250 mg   | ≤ 0.8 μNm        | ≤ 8 gmm <sup>2</sup>    | ≤ 25 N                 |
| Second Hand - 秒針          | ≤ 5 mg     | ≤ 0.2 μNm        | ≤ 0.16 gmm <sup>2</sup> | ≤ 25 N                 |
| Small Counters Hands - 小針 | ≤ 5 mg     | ≤ 0.2 μNm        | ≤ 0.16 gmm <sup>2</sup> | ≤ 20 N                 |

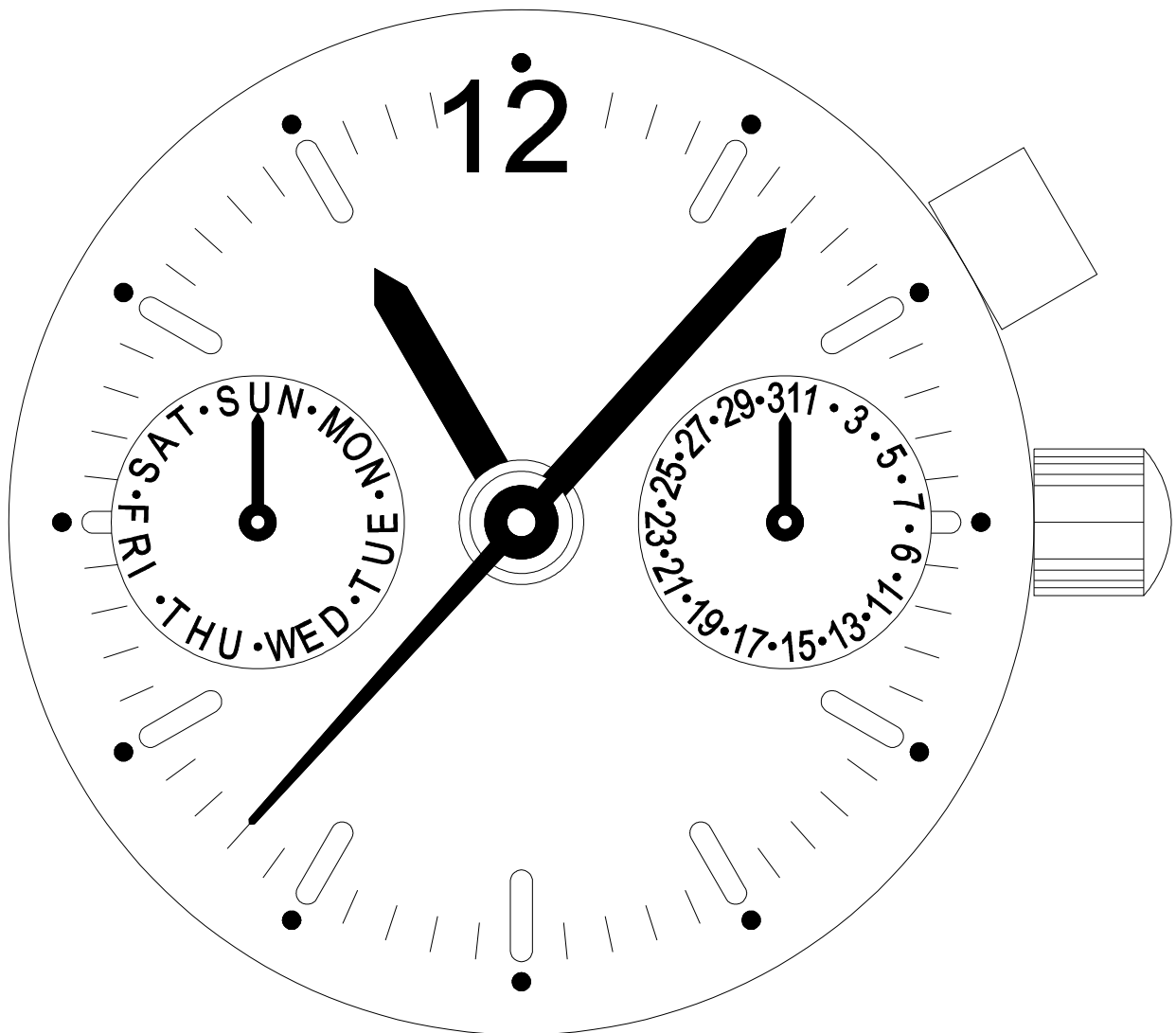
DIMENSIONS IN mm. - TOLERANCES IN μm.

In conformity with RoHS standard

Doc. n° 0312240 - F Up date . 08/04/2013 - Page 5

Design example

设计范例



In conformity with RoHS standard

Doc. n° 0312240 - F Up date . 08/04/2013 - Page 6