

# *TECHNICAL INFORMATION*

---

**CITIZEN QUARTZ**

**Cal. No. D13※**



 **CITIZEN**  
CITIZEN IS A REGISTERED TRADEMARK OF CITIZEN WATCH CO., JAPAN.

## S1. OUTLINE




This digital watch is equipped with a newly developed shock switch (shock sensor) and stopwatch which can be started and stopped easily. Therefore, this watch is suitable for bicycle, ski and marathon racing etc.

In addition, this watch is equipped with a start warning timer (D130/D131) and stop watch memo function, thus it is especially effective for individual training.

## S2. SPECIFICATIONS

Caliber No.		D130	D131	D132
Type		Digital watch with shock sensor		
Module size (mm)		28.4 x 26.3, thickness: 5.4 t		
Accuracy		±20 sec/month (at normal temperature)		
Oscillation		32,768 Hz		
Display method		FE twist-type nematic LC (Liquid Crystal)		
Integrated circuit		C/MOS-LSI (1 unit)		
Effective temp. range		0°C ~ +55°C (32°F ~ 131°F)	-20°C ~ 55°C (-4°F ~ 131°F)	0°C ~ 55°C (32°F ~ 131°F)
Adjustment of time rate		Trimmer condenser		
Measurement of time rate		2 seconds		
Display functions	Normal time/Calendar	(AM/PM) Hour, minute, second, 12/24 hour switching function Month, date, day, year (Year displayed only in correction mode)		
	Alarm 1	(AM/PM) Hour, minute (12/24 hour display interlocked with normal time and calendar)		
	Alarm 2	(AM/PM) Hour, minute, day		
	Timer	Minute, second (Up to 60 minutes, 59 seconds)		
	Stopwatch	12-hour system (with split time/lap time measuring function)		
Additional functions		Lamp	Without lamp	Lamp
		<ul style="list-style-type: none"> <li>● Graphic display</li> <li>● Fully automatic calendar (1988 ~ 2003)</li> <li>● Stopwatch memo (up to 9 data)</li> <li>● Stopwatch counter (00 ~ 99)</li> <li>● Sound monitor</li> </ul>		
Power cell	Part No.	280-204	280-206	280-204
	Battery cord No.	CR2016		
	Size (mm)	φ20.0 x 1.6 t		
	Nominal voltage	3 V		
	Nominal capacity	65 mAH		
	Life time	Approx. 3 years		
Current consumption		2.4 μA max. (Under normal operating condition)		
Remarks		D13* series including CAL. D130 (Cycle sports), CAL. D131 (Ski sports) and CAL. D132 (Jogging sports) are the calibers of the same type equipped with shock sensors.		

## Main differences among CAL. No. D130, D131 and D132

CAL. No.	D130	D131	D132
1. Appearance view	 <p>Cycle sports</p>	 <p>Ski sports</p>	 <p>Jogging sports</p>
2. Module			
a) Display part	<ul style="list-style-type: none"> <li>Standard LC display panel</li> </ul> <p>(0 ~ 55°C/ 32 ~ 131°F)</p>	<p>(*1)</p> <ul style="list-style-type: none"> <li>LC display panel for use at low temperature (-20° ~ 55°C/ -4 ~ 131°F)</li> </ul>	<ul style="list-style-type: none"> <li>Standard LC display panel</li> </ul> <p>(0 ~ 55°C/ 32 ~ 131°F)</p>
b) Power cell	<ul style="list-style-type: none"> <li>Standard lithium battery</li> </ul> <p>Power cell No. 280-204 Power cell code CR2016</p>	<p>(*2)</p> <ul style="list-style-type: none"> <li>Lithium battery for use at low temperature 280-206 CR2016</li> </ul>	<ul style="list-style-type: none"> <li>Standard lithium battery</li> </ul> <p>280-204 CR2016</p>
c) Lamp	<ul style="list-style-type: none"> <li>Installed</li> </ul>	<ul style="list-style-type: none"> <li>Not installed</li> </ul>	<ul style="list-style-type: none"> <li>Installed</li> </ul>
d) Stopwatch	<ul style="list-style-type: none"> <li>With start warning timer (30-sec start timer)</li> </ul>	<ul style="list-style-type: none"> <li>←</li> </ul>	<ul style="list-style-type: none"> <li>Without start warning timer (Starts at time when shock is give.)</li> </ul>
Stopwatch memory	<ul style="list-style-type: none"> <li>With stop time memory function</li> </ul>	<ul style="list-style-type: none"> <li>←</li> </ul>	<ul style="list-style-type: none"> <li>With stop time memory and split time memory functions</li> </ul>
3. Band	<ul style="list-style-type: none"> <li>Standard band</li> </ul>	<ul style="list-style-type: none"> <li>Extension band</li> </ul>	<ul style="list-style-type: none"> <li>Standard band</li> </ul>

(\*1, \*2)

CAL. No. D131 is developed to be used for ski sports and so designed that it can be used even at -20°C (-4°F). If a wrong power cell is used, this watch may not function normally. Be sure to use the genuine power cell.

CAL. D130 will be mainly explained below.

### 53. SHOCK SWITCH (SHOCK SENSOR)

If a shock is applied to the watch in the following modes by tapping, slapping or otherwise applying a shock to the watch with hand or against body.

#### 1) Alarm mode

While the alarm is sounding, if a shock is given, the alarm stops.

#### 2) Timer mode

If a shock is given, the timer starts.

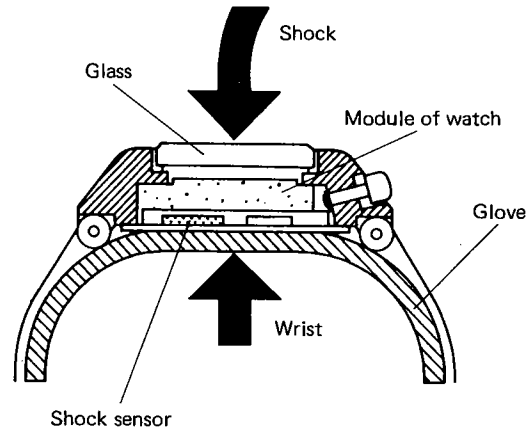
#### 3) Stopwatch mode

If a shock is given, a split/lap time can be measured.

(For the detail, see the section of the operation of the stopwatch.)

#### How to given a shock

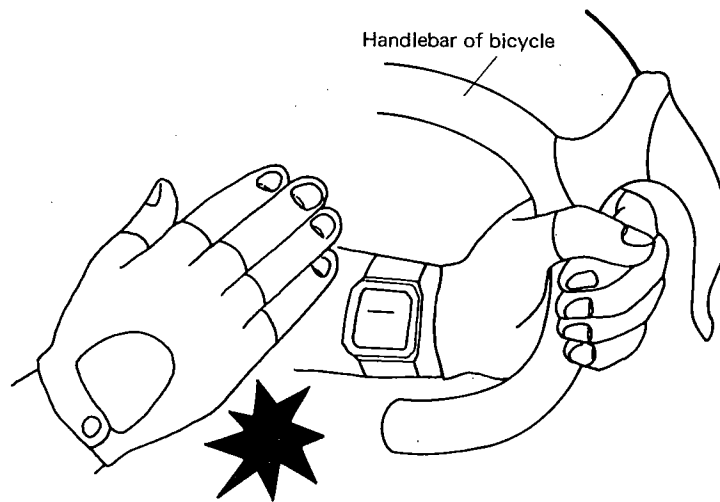
The shock sensor is installed to the case back. Fit the watch correctly to wrist and hit the glass surface of the watch with a part of the body (hip born, knee, etc).



\* Shock sensor does not accept shocks from lateral direction. Give shocks vertically.

#### Fitting method of watch

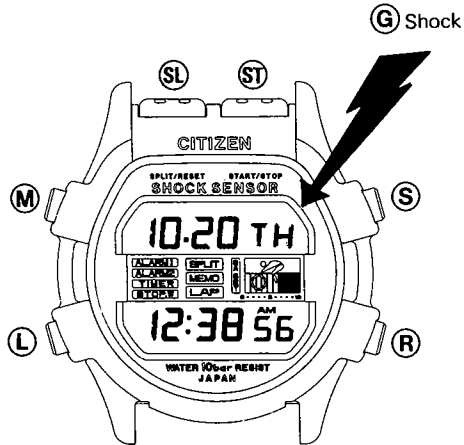
If the watch is fitted to the inside of the wrist, you can give shocks to it easily while you are training.



\* If a shock is given, the confirmation sound is heard. When the sound does not come out, the shock switch is not turned on. In this case, hit the watch again.

## 54. HANDLING INSTRUCTIONS

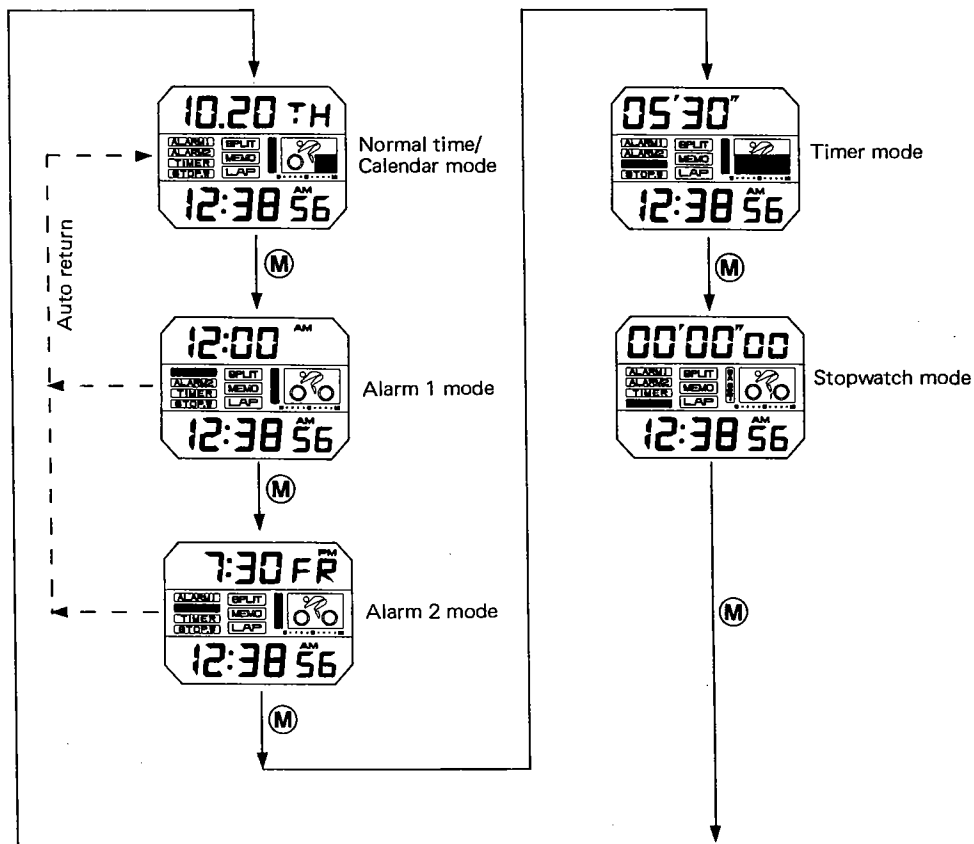
### 4-1. Specifications of buttons



- (R) button: Correction button
- (S) button: Button for selecting digit to be corrected
- (ST) button: Start and Stop button
- (SL) button: Split button
- (M) button: Mode selection button
- (L) button: Lamp button
- (G) button: Shock

(D131: without lamp)

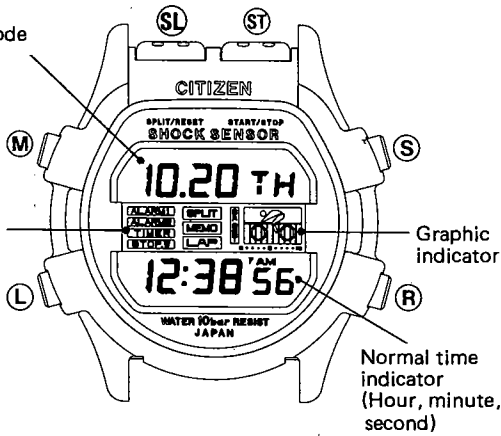
### 4-2. Changing the mode



- The mode is changed every time the (M) button is pressed. (However, if the stopwatch is running or measuring split or lap time, it is required to press and hold the (M) button for more than 2 seconds.)
- If the watch is left untouched in alarm 1 or 2 mode for more than about two minutes, the watch is automatically returned to the normal time/calendar mode (Auto-return function).

Follow-up indicator for each mode

Mode mark indicator



**Operation common to correction**

Notes:

**Selection the correcting mode**

Select the mode to be corrected by pressing the (M) button, then press and hold the (S) button until the digits blinks. Press the (S) button to select the digits to be corrected, and correct it with the (R) button.

**Quick correction**

While correcting an digits in each mode, if the (R) button is pressed and held, the digits is advanced quickly.

**Auto-return**

- (1) If alarm 1 or 2 mode is kept unchanged for more than about two minutes, the watch is automatically returned to the normal time/calendar mode.
- (2) If the correcting state in each mode is kept for more than about two minutes, the watch is automatically returned to the normal state in the current mode.

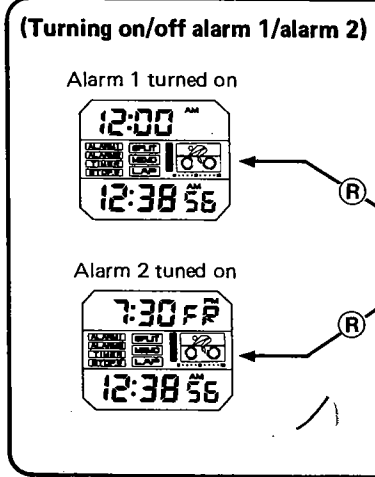
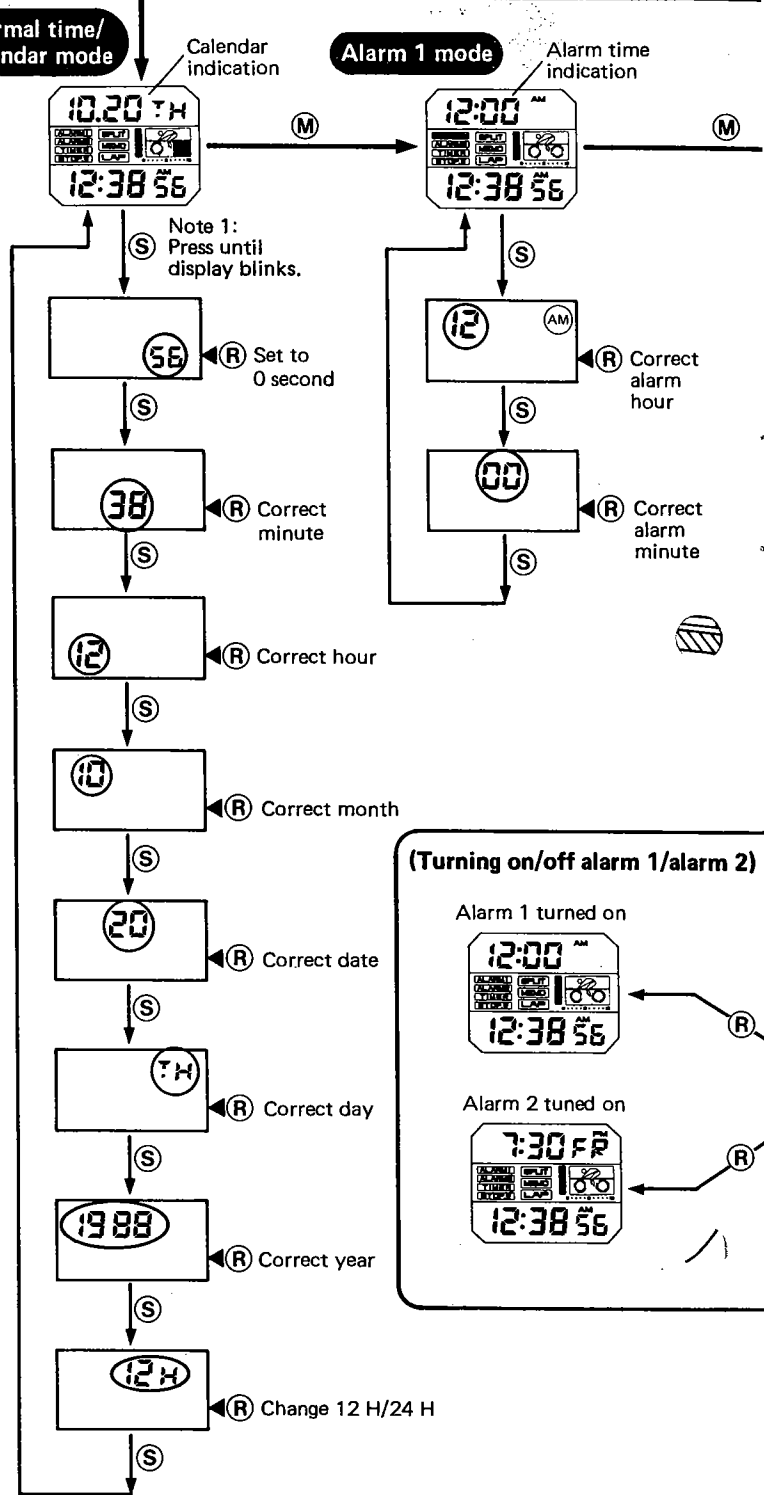
**Manual return (Forced return)**

If the (M) button is pressed while correcting a digit in each mode, the correcting state is finished forcedly and the watch is returned to the normal state in the current mode.

The mark O indicates a flashing position.

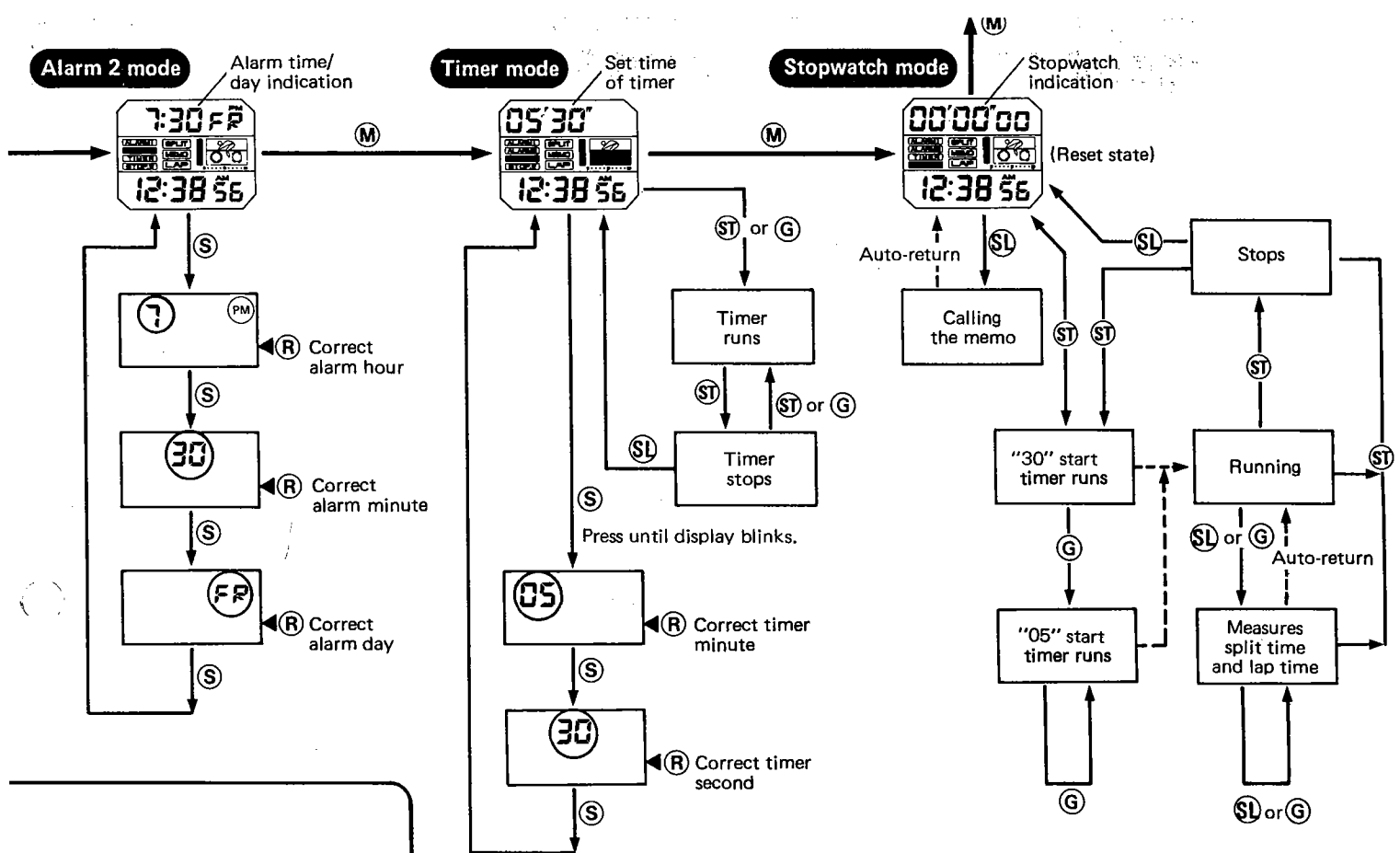
**Normal time/Calendar mode**

**Alarm 1 mode**



- Correction of second: If the second indication is corrected while the watch is indicating 39 seconds ~ 59 seconds, the minute indication is advanced by one minute.
- In a non-existing date is set and the watch is returned to the normal state, the 1st day of the next month is indicated. (Example: Feb. 31 → Mar. 1)
- The year can be set the 1988 ~ 2003. It is not necessary to correct the date at ends of months during this period.

- The basic setting methods of alarm 1 and alarm 2 are the same. However, an alarm day of week can be set in alarm 2 mode.
- 12-hour system and 24-hour system are in accordance with that in the normal time/calendar mode.
- If (R) button is pressed in while the alarm time is indicated, the alarm can be turned on and off.



\* For the detail, see the section of the stopwatch.

Alarm 1/Alarm 2 turned off



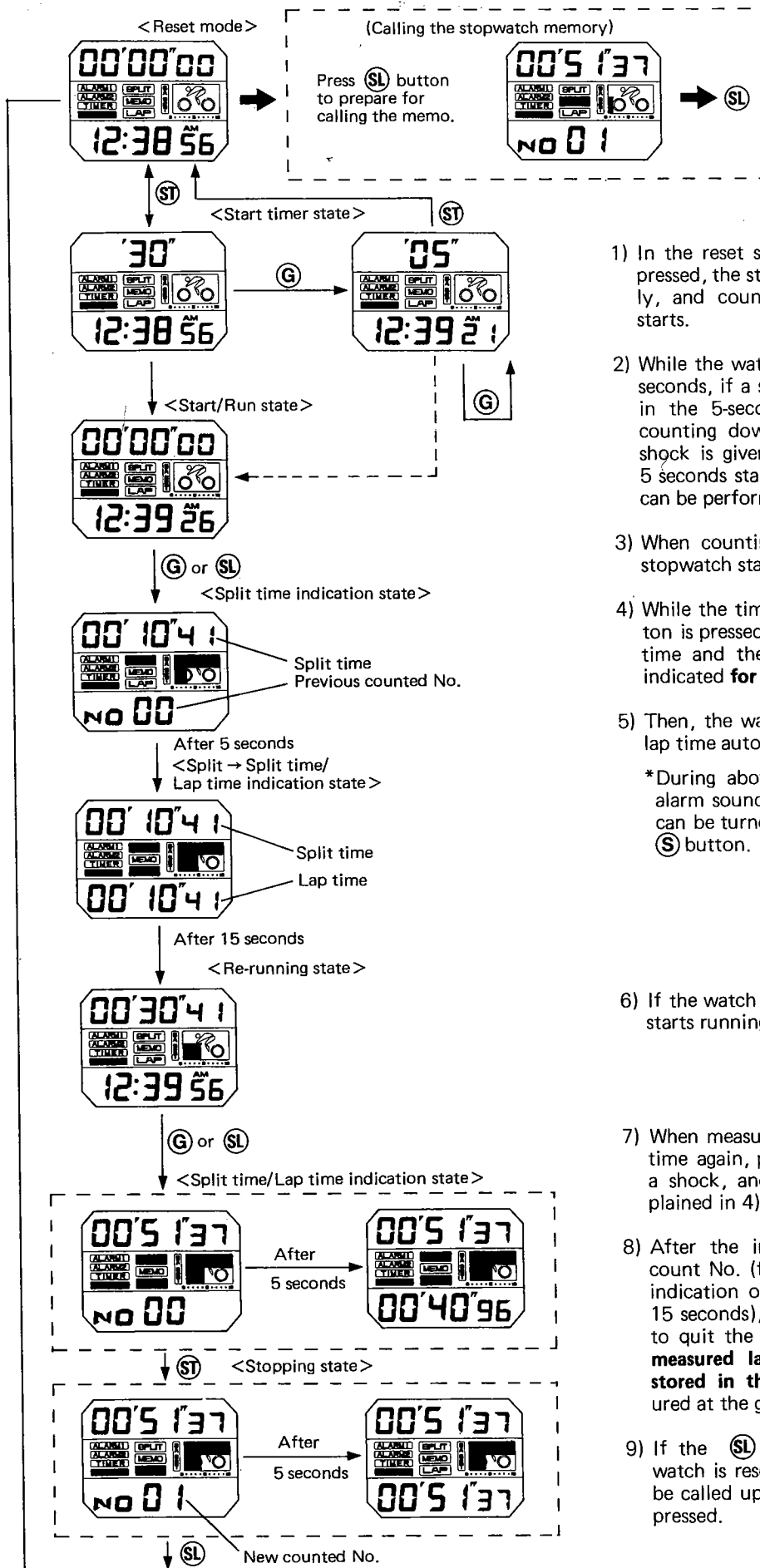
- In alarm 1/alarm 2 mode, it is turned on and off every time **R** button is pressed.

- If the alarm time is corrected, the alarm is turned on automatically.
- The alarm sounds for 20 seconds. It can be stopped by pressing any button. It can be also stopped by slapping the watch.

- The timer can be set up to 60 minutes and 59 seconds.
- Auto-repeat: When the timer is up, the confirmation sound comes out, then the timer starts counting down from the set time again.
- The confirmation sound comes out for two seconds.
- The timer can be started by giving a shock to it.
- After the timer is stopped by pressing **SL** button, the sound continues for about two seconds, then it stops.

- Start timer function: 30-second start timer. The start time can be jumped to 5 seconds start timer by shock.
- 12-hour system: Can measure time up to 11 hours, 59 minutes, 59 seconds.
- \* The start timer cannot be cancelled. (D132 is not equipped with a start timer. It is set to the running mode the moment the start operation is performed.)

#### 4-4. Operation of stopwatch (Example for CAL. No. D130 and D131)



1) In the reset state, if the **ST** button is pressed, the start timer starts automatically, and counting down for 30 seconds starts.

2) While the watch is counting down for 30 seconds, if a shock is given to it, it is set in the 5-second start timer mode, and counting down starts at the point. If a shock is given again, counting down for 5 seconds starts again, and this operation can be performed repeatedly.

3) When counting down is completed, the stopwatch starts automatically.

4) While the time is running, if the **SL** button is pressed or a shock is given, the split time and the previous counted No. are indicated for 5 seconds.

5) Then, the watch indicates the split time/lap time automatically for 15 seconds.

\*During above operation 4) and 5), the alarm sounds for 20 seconds. The Alarm can be turned on and off by pressing the **S** button.

6) If the watch is kept as it is, the stopwatch starts running to measure the time.

7) When measuring the split time or the lap time again, press the **SL** button or give a shock, and the watch operates as explained in 4) and 5).

8) After the indication of the split time/count No. (for 5 seconds) and before the indication of the split time/lap time (for 15 seconds), if the **ST** button is pressed to quit the current mode, the split time measured last and the counter No. are stored in the memory. (The time measured at the goal is stored in the memory.)

9) If the **SL** button is pressed next, the watch is reset. Then, the stored times can be called up each time the **SL** button is pressed.





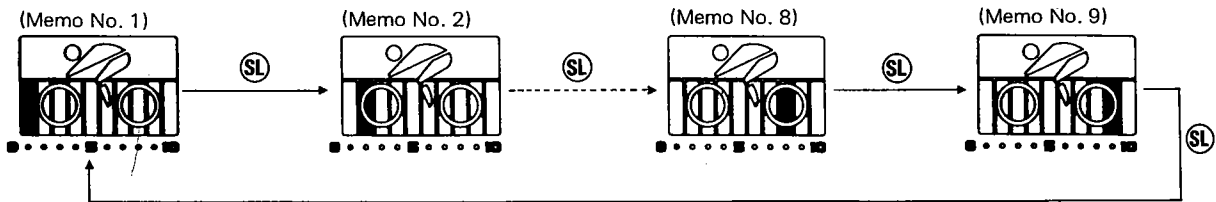
● **Calling the memory**

- 1) After the watch is reset, the latest data in the memory is indicated every time the (SL) button is pressed. However, if no data has been memorized, the watch does not indicate any data even if the (SL) button is pressed.

(See [Calling the stopwatch memory] in page 7.)

**Graphic display of memory addresses**

This display method is common to all CAL. D13※ watches. If the memory is called, the memory data are lit up in the order of time from the earliest one. (If 10 or more data are stored, data No. 9 is the newest one.)



- 2) Only the latest nine data can be called. The data before those nine data are canceled automatically.

For example, when the user has practiced 15 times as shown below (time trial of 400-m course), the data to be memorized are as follows.

01	00'45''68	}	Data automatically canceled	
02	00'46''58			
⋮				
⋮				
⋮				
06	00'50''00	}	Data which can be called	
07	00'49''27			Memo No. 1
08	00'48''56			Memo No. 2
⋮				⋮
⋮				⋮
⋮				⋮
14	00'46''23			Memo No. 8
15	00'47''77			Memo No. 9

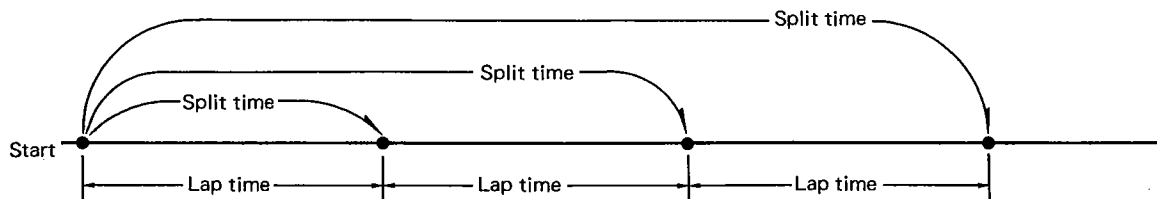
- 3) Clearing all memorized data

When the memorized data are called, if the (R) button is pressed one time, all the memorized data are deleted.

● **Lap time and split time**

Lap time: The time measured for a given section.

Split time: The time measured from the starting point.

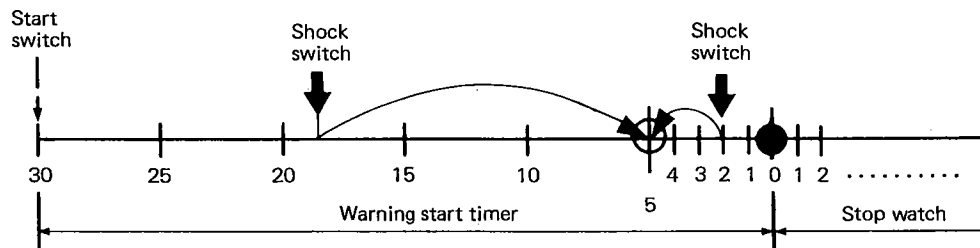


#### 4-5. Example of stopwatch operation for Cal. No. D130 and D131

##### [Starting operation]

Even if you have some tools in both hands when starting a race, you can start the race according to the start timer sound.

##### (Warning starting method)



- (1) First, press the start button.  
The stop watch starts 30 seconds after the button is pressed. Carefully prepare for the start.
- (2) After you are ready for the start, slap the watch with a part of your body.
- (3) At the time when the watch is slapped, it is set to 5 seconds before the start. (Even if it is not slapped, it starts automatically 30 seconds after.)
- (4) If you are not ready for the start at 5 seconds before the start, slap the watch again, and the stopwatch is set to 5 seconds before the start again. (This operation is not effective after the stopwatch starts.)
- (5) Start the race at the same time when the time-up (start) sound is heard.

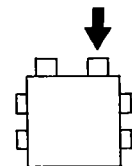
##### [Stopping operation]

At the same time you have reached the goal, slap the watch.

- (1) Slap the watch with a part of your body at the same time you have reached the goal. The watch makes split alarm sound every second.
- (2) The split alarm sound continue for 20 seconds. During this time, the mark shown at right blinks.
- (3) Press the stop button during the above 20 seconds.
- (4) The time at the goal is stored in the memory.



Stop button



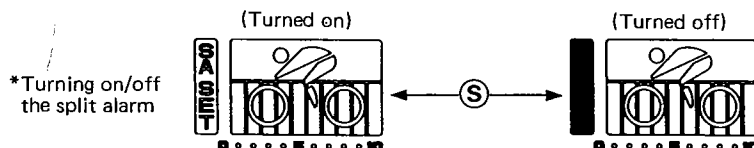
- (5) The number of trials is counted when the stop button is pressed.
- (6) Note that if the stop button is pressed 20 seconds or more after the time at goal, the time when the stop button is pressed is recorded.

After you have reached the goal, if you fall down or collide with something and a shock is given to the watch before the stop button is pressed, the data of the time at goal is lost.

### [Split time measuring operation]

- (1) During a race, when checking the time, slap the watch with a part of your body.
- (2) The upper LCD of the watch displays the time after the start (split time) and the lower one displays the time after the previous split time (lap time) for 20 seconds.
- (3) Since the split time and lap time are not stored in the memory, they are not input in the memory even if you fall down or collide with something during the race.
- (4) During a race, the shock sensor may be turned on by some shock and the split time may be measured automatically.

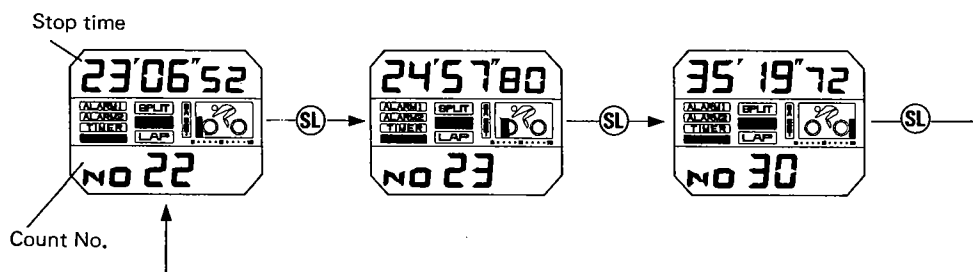
In this case, the split time alarm sound is made. If you do not like to hear this sound, press the (S) button. The alarm sound is turned off. At this time, the part of "SA SET" shown below is blackened out.



### [Nine memories of stop time]

Every time the stopwatch is stopped, the time at each time is stored in the memory up to nine times. For example, if you have made 30 trials and stopped the stopwatch each time, the records of 22th trial through 30th trial are stored in the memory. Those records can be called by the following procedure.

- (1) Confirm that the stopwatch is stopped. (The flow display of the graphic section stops.)
- (2) Press the (SL) button, and the watch is reset.
- (3) Press the (SL) button again, the record of the 22th trial is indicated as shown below.
- (4) Every time the (SL) button is pressed, the records of 23th trial and after are indicated in order. (At this time, the records are displayed in the graphic section from the oldest one.)



## §5. General check points

- **Sound monitor**

In alarm 1 or alarm 2 mode, if the (R) button is pressed and held, the sound monitor can be operated.

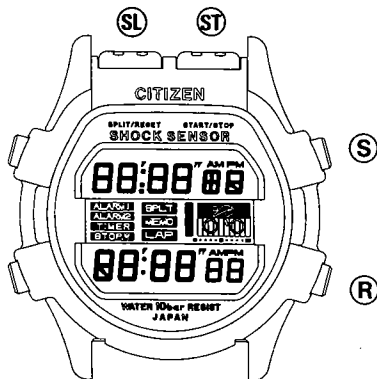
- **Adjustment of time rate**

While correcting the time and calendar, if the (R) button and (S) button are pressed at the same time, all the segments of LCD are turned on.

Under this condition, the time can be adjusted with the trimmer condenser.

All the segments are kept turned on for about two minutes, then the watch is automatically set to the time/calendar mode, or the display of all the segments can be returned to time/calendar mode by pressing any button.

- **All reset operation**



If the (R), (S), (ST), and (SL) buttons are pressed at the same time, all the modes can be initialized.

At this time, all the segments are turned on. If the buttons are released, the finish sound is made to notify all the modes are reset.

All the data in the memory are canceled by the above operation, the necessary data must be recorded separately.

After the cell is replaced, be sure to perform this operation. If it is not performed, the watch may indicate time abnormally.

### Indication in each mode after all reset operation

Normal time/Calendar mode: AM 12:00:00 12-hour system 1988, Jan. 01, Fri.

Alarm 1 mode: AM 12:00 Sounding turned off

Alarm 2 mode: AM 12:00 No day specified, sounding turned off

Timer mode: 00 min 00 sec

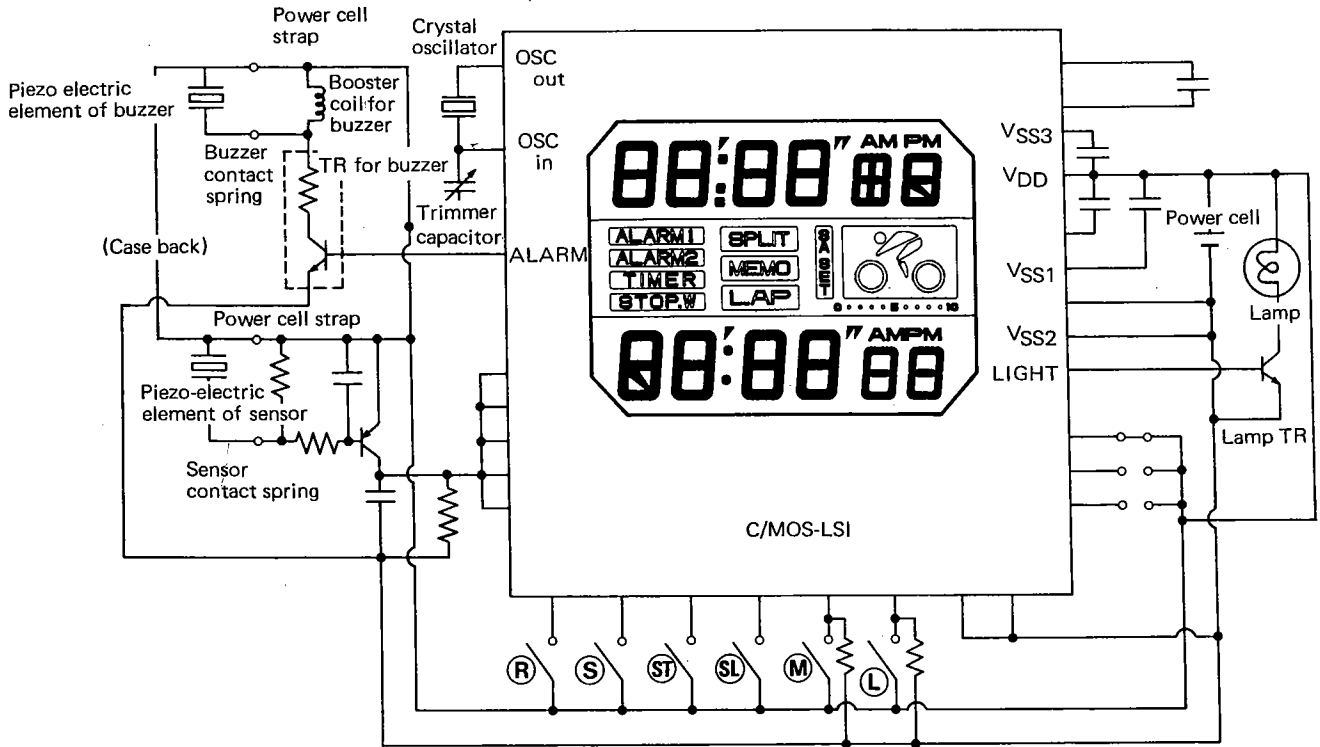
Stopwatch mode: Reset  
Split alarm turned on  
All memory in stopwatch cleared  
Count number of split time: 00

- **Replacement of power cell**

A power cell for the use at low temperature is used for CAL. No. D131. When replacing the power cell, be sure to use the genuine one.

(Power cell No.)	(CAL. No.)	(Remarks)
280-204	D130, D132	Standard lithium battery
280-206	D131	Lithium battery for use at low temperature

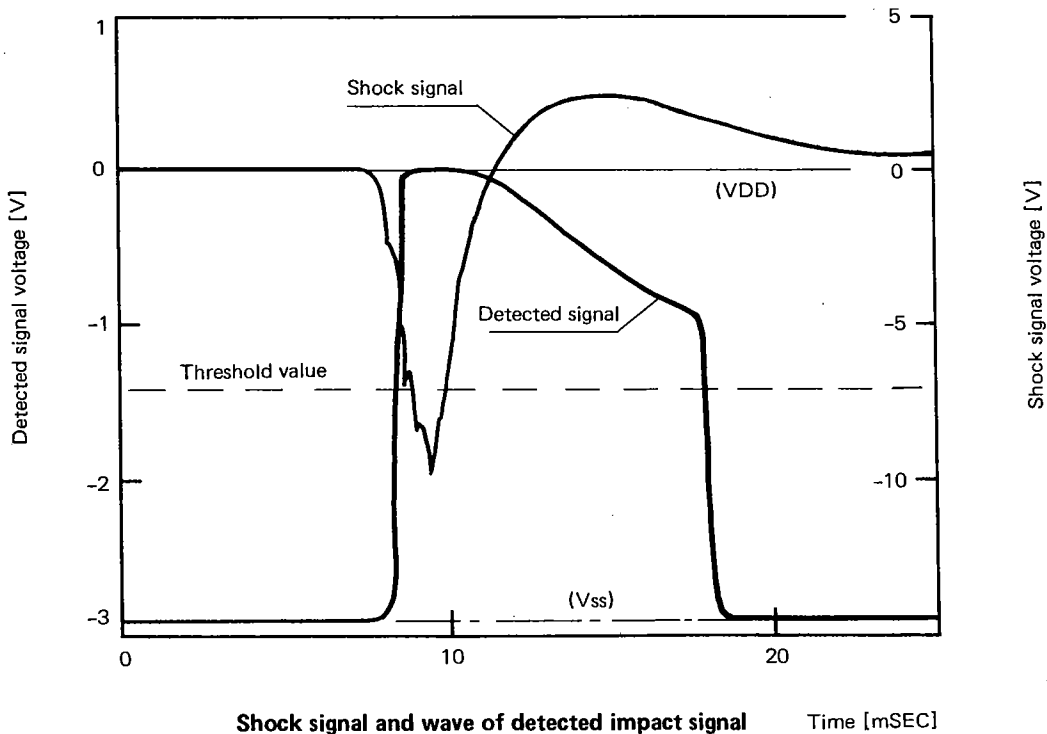
● Composition of Basic Circuit and Principle



The outline of the operation started by a shock is as follows:

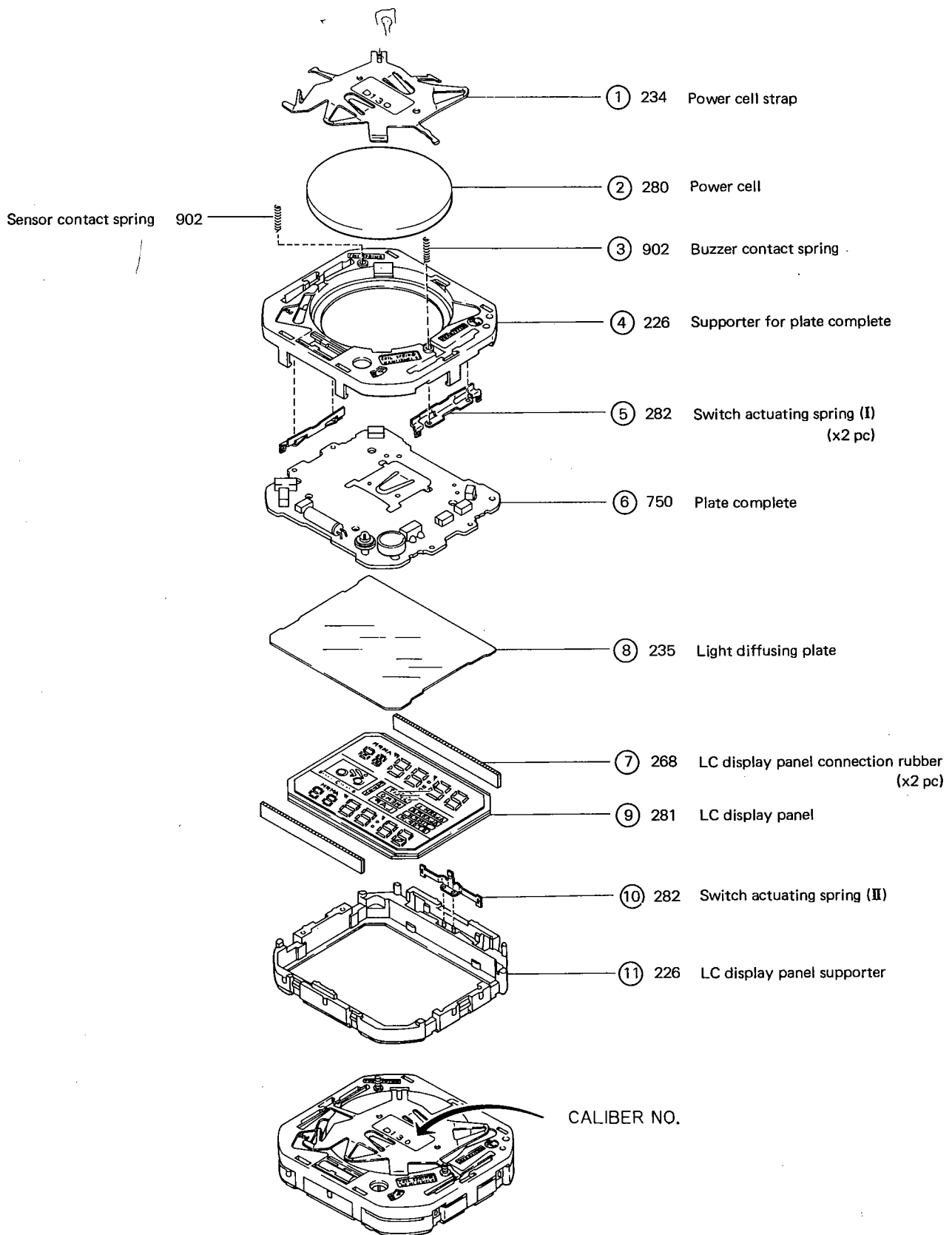
Shock → Piezo-electric element of case back → Sensor contact spring → Transistor (Amplification of shock signal) → C/MOS LSI (Shock switch) → Change of display by shock/Alarm stops/Timer starts.

If a shock larger than the threshold value is given as shown in the following figure, a detection signal is generated to turn on the impact switch.

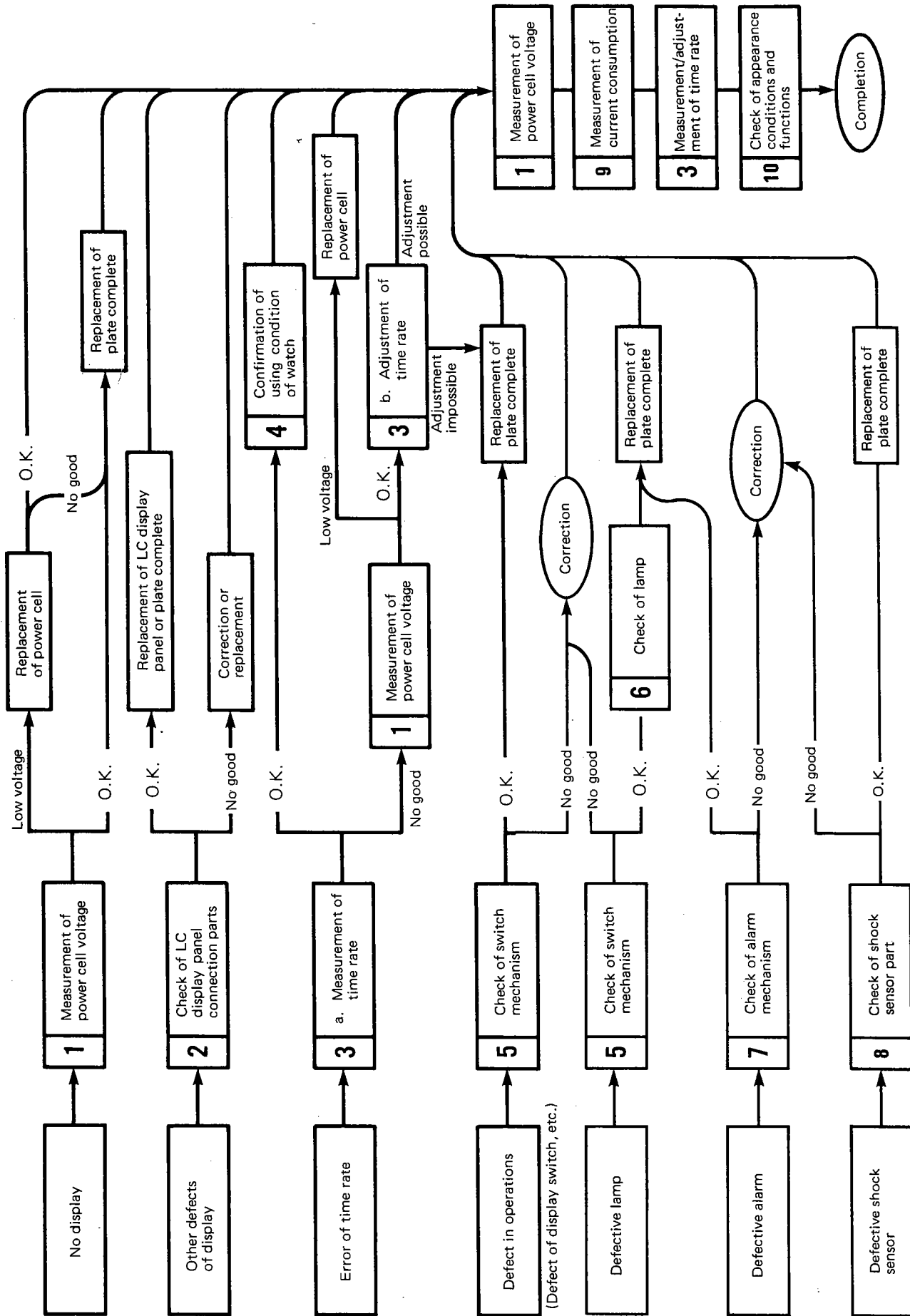


# 56. DISASSEMBLY AND ASSEMBLY OF THE MODULE

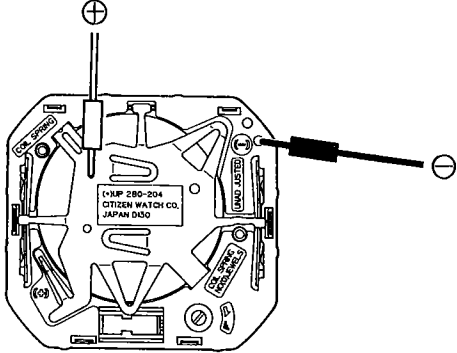
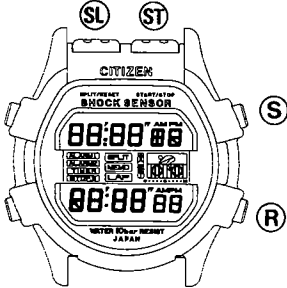
Disassembly procedure: ① → ⑪  
 Assembly procedure : ⑪ → ①

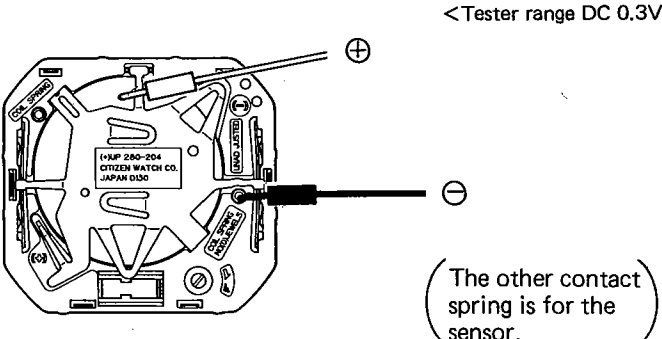


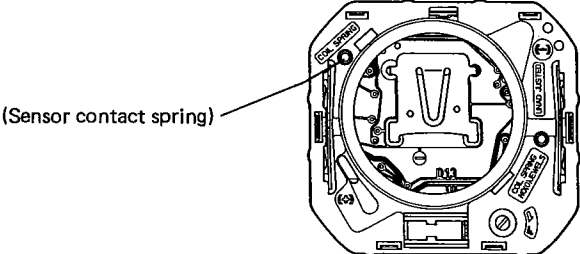
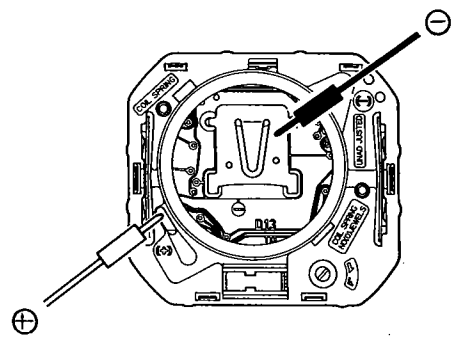
# S7. TROUBLESHOOTING AND ADJUSTMENT





Check points	How to check	Results & treatment
<p>① Measurement of power cell voltage</p>	<p>[Refer to Technical Manual Basic Course II-1-a for tester setting]</p> <p style="text-align: right;">&lt;Tester range DC 12V&gt;</p> 	<p><b>Over 2.8V</b> → Nondefective</p> <p><b>Under 2.8V</b> → Replace the power cell</p>
<p>② Check of LC display panel connection parts</p>	<p>[Refer to Technical Manual Basic Course II-2-a-Digital Part]</p>  <p>● Checking all the segments; simultaneously push the (R), (S), (ST) and (SL) button, all segments are turned on while pushed.</p> <p>In the above condition, check for defective segments.</p> <p>This is the all-reset operation. (See §5 of 12 page)</p>	
<p>③ Measurement/ Adjustment of the time rate</p>	<p>[Refer to Technical Manual Basic Course II-2-d]</p> <p>Set the watch to correct time in the time/calendar mode and press the (R) and (S) buttons at the same time, and all the segments are lit up. During this period, the time rate can be measured. (See §5 of 12 page)</p> <p>a) Measurement of the time rate Measurement of the time rate can be made with the "MEASURE TIME" set at a range of 2 seconds.</p> <p>b) Adjustment of the time rate Turn the trimmer condenser clockwise.</p>	<p>Enables adjustment → Nondefective</p> <p>Does not enable adjustment → Replace the plate complete</p>
<p>④ Confirmation of using conditions of watch</p>	<p>[Refer to Technical Manual Basic Course II-2-e]</p> <p>Check to see if the handle is operating correctly or not.</p>	

Check points	How to check	Results & treatment
<p>5 Check of switch mechanism</p>	<ul style="list-style-type: none"> <li>● Check whether the pattern of the plate firmly contacts the switch actuating spring.</li> <li>● Check whether the push buttons has not been deformed and has no dust or dirt on it.</li> </ul> <p>*To maintain the waterproof of the watch and the smooth operation of the buttons, be sure to put silicone oil on the push button packing.</p>	
<p>6 Check of lamp</p>	<p>[Refer to Technical Manual Basic Course II-1-e for tester setting]</p>	<p>Flashing → Nondefective</p> <p>Not flashing → Replace the plate complete</p>
<p>7 Check of alarm mechanism</p>	<p>[Refer to Technical Manual Basic Course II-1-d for tester setting]</p> <ol style="list-style-type: none"> <li>a. Checking the piezo-electric element If the white color piezo-electric element attached directly to the case back with adhesive, especially the part touching by the buzzer contact spring, have a defect or a crack, the alarm may not sound.</li> <li>b. Checking the buzzer contact spring Check whether the buzzer contact spring is bent/deformed or not.</li> <li>c. Checking alarm output signal of plate complete (You can check without removing the module from the case.)</li> </ol> <div style="text-align: center;">  </div> <p>● In the alarm monitor mode, ⊕ ... to the power cell surface ⊖ ... to the buzzer contact spring.</p>	<p>Tester pointer oscillating → Nondefective</p> <p>No oscillating → Replace the plate complete</p>

Check points	How to check	Results & treatment
<p>8 Check of shock sensor part</p>	<p>(Case back)</p> <ul style="list-style-type: none"> <li>● Check the Piezo-electric element for cracking and removal.</li> <li>● Confirm the case back is fitted in the correct direction.</li> </ul> <p>(Sensor contact spring)</p> <ul style="list-style-type: none"> <li>● Check the spring for bend and deformation.</li> <li>● Confirm the spring is in contact with the plate complete.</li> </ul> <p>(Giving method of shocks)</p> <ul style="list-style-type: none"> <li>● Confirm shocks are given correctly from the direction of the glass of the watch.</li> <li>● Confirm given shocks are too weak. (See §3, page 3)</li> </ul> 	<ul style="list-style-type: none"> <li>● There is not abnormality, but the shock sensor does not work. → Replace the plate complete</li> </ul>
<p>9 Measuring the current consumption</p>	<p>[Refer to Technical Manual Basic Course II-1-f for tester setting]</p> <p style="text-align: center;">&lt;Tester range DC 12μA&gt;</p>  <p>Note: When measuring the current consumption, be sure to perform the all-reset operation. If it is not performed, the current consumption may not be measured correctly.</p> <div style="border: 1px solid black; padding: 5px; margin-top: 10px;"> <p>Influence of light</p> <p>Avoid measuring current consumption under an incandescent lamp or the direct rays of the sun, because it may cause the current value to increase.</p> </div>	<ul style="list-style-type: none"> <li>● Current value of the complete module after all reset operation</li> </ul> <p><b>Under 2.4μA</b> → Nondefective</p> <p><b>Over 2.4μA</b> Singularly measure the unit of the plate complete for current value</p> <ul style="list-style-type: none"> <li>● Current consumption when all elements are lit up</li> </ul> <p><b>Under 3.5μA</b> → Nondefective</p> <p><b>Over 3.5μA</b> → Replace the plate complete</p> <p>(Light up all the elements according to §5 adjustment of time rate, page 12)</p>
<p>10 Check of appearance conditioning and functions</p>	<p>[Refer to Technical Manual Basic Course II-2-f]</p> <p>Check whether the displays and buttons operate correctly or not in the complete condition.</p>	